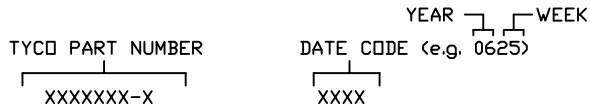


This drawing involves proprietary design rights of Tyco Electronics Corporation, and all design, manufacture, reproduction, use and sale rights regarding the same are expressly reserved. It is submitted for a specific purpose and the recipient by accepting this drawing, assumes custody and control and agrees to take reasonable precautions: (a) that this drawing will not be copied and reproduced in whole or in part, or its contents revealed in any manner, or to any person except to meet the purpose for which it was delivered and (b) that any special features peculiar to this design will not be incorporated in other projects without the expressed written permission of Tyco Electronics Corporation.

| REVISIONS |     |                                     |          |
|-----------|-----|-------------------------------------|----------|
| EC        | REV | DESCRIPTION                         | DATE     |
| CPR       | A   | NEW RELEASE, PREVIOUSLY CUD 299-313 | 03/31/06 |

8. REFERENCE ELCON PART NUMBER 262-0007-01100.
7. SEE DRAWING C-1648163 FOR MATING PIN CONNECTOR.
6. ITEMS PROVIDED TO THIS SPECIFICATION TO BE PERMANENTLY IDENTIFIED PER THE FOLLOWING IDENTIFIER:



5. ALL DIMENSIONS SHOWN ACROSS A CENTERLINE ( $\phi$ ) SHALL BE CENTRALIZED WITHIN THE TOLERANCE INDICATED FOR THAT DIMENSION.
4. A REFERENCE DIMENSION (.XXX) IS WITHOUT TOLERANCE AND USED FOR INFORMATION PURPOSE ONLY.

**3** RECOMMENDED MOUNTING HARDWARE: TO BE ORDERED SEPARATELY.

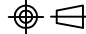


- FOR PANEL MOUNTING, USE
  - 1650402-1: SHOULDER SCREW, #8-32
  - 1650106-1: SHOULDER SCREW, #6-32
  - 1650589-1: SHOULDER SCREW, M4X0.7
- FOR PCB MOUNTING, USE COMMERCIALY AVAILABLE SCREW AND WASHER (IF REQUIRED).

2. MATERIALS:
- HOUSING: THERMOPLASTIC, GLASS REINFORCED, COLOR-BLACK  
UL94V-0 FLAMMABILITY RATED.
- RETENTION CLIP: COPPER ALLOY OR STAINLESS STEEL

1. PART NUMBER CHANGES AND OR DESIGN CHANGES AFFECTING ITEM INTERCHANGEABILITY REQUIRE PRIOR TYCO APPROVAL AND AUTHORIZATION BY REVISION TO THIS DRAWING.

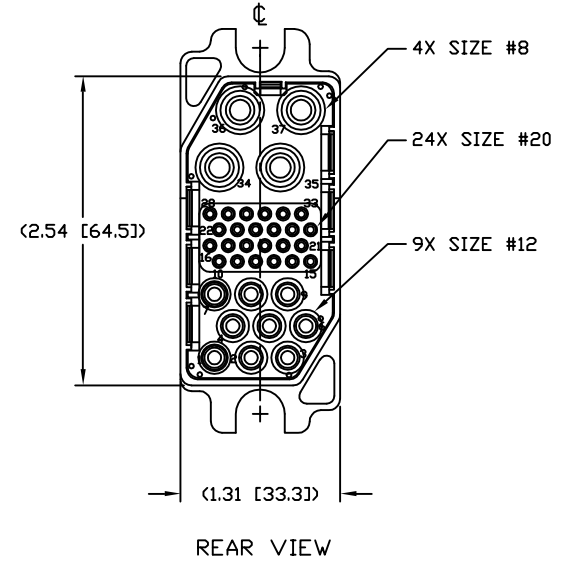
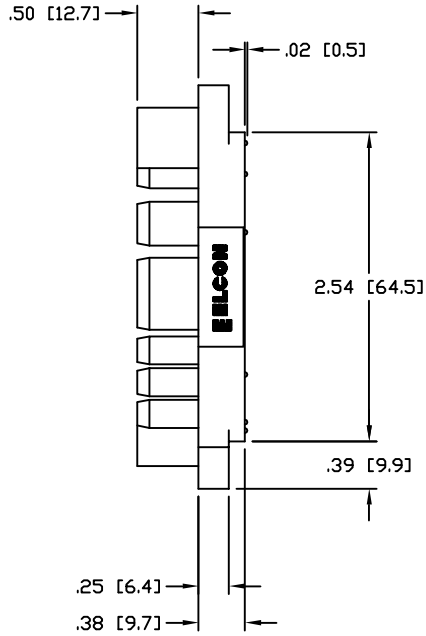
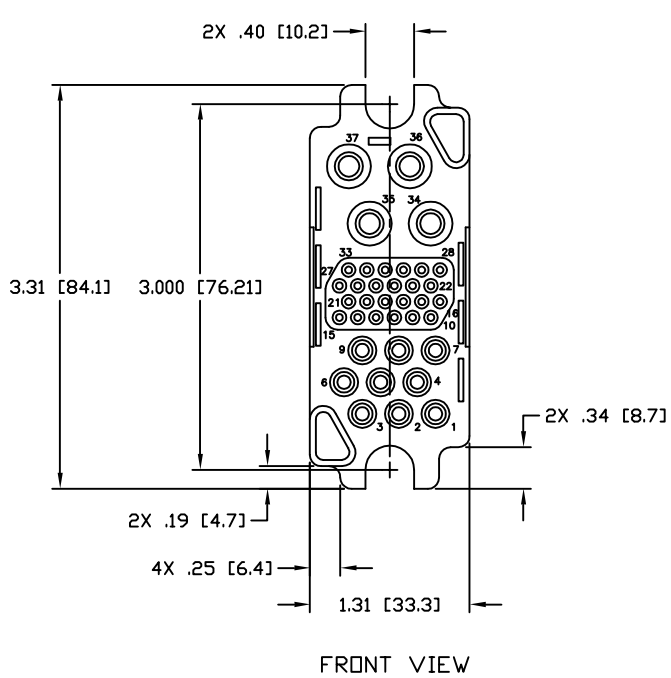
NOTES: UNLESS OTHERWISE SPECIFIED

| 1648168-1   | AS SHOWN    |
|-------------|-------------|
| PART NUMBER | DESCRIPTION |

|   |                    |                  |  |             |  |
|---|--------------------|------------------|--|-------------|--|
| INCH OR INCH (MM)<br>MM<br><br>THIRD ANGLE PROJECTION<br>UNLESS OTHERWISE SPECIFIED DIMENSIONS ARE IN INCHES (METRIC)<br>TOLERANCES<br>ANGLES ± .5°<br>DECIMALS<br>.XXX ± .010 (.25)<br>.XX ± .02 (.3) | DRAWN<br>HA NGUYEN | DATE<br>03/31/06 |  Tyco Electronics Corporation<br>Menlo Park, Ca 94025 |             | <br>TITLE<br>CONNECTOR, SOCKET HOUSING<br>4X#8, 24X#20, 9X#12, PCB MOUNT<br>75AMP MIDDLE DRAWER |
|   | CHECKED            |                  | SIZE   | DWG NUMBER  |  |
|   | APPROVED           |                  | B  | C = 1648168 |  |
|   | APPROVED           |                  | REV.   | A           |  |
|   | STEVE FLICKINGER   | 03/31/06         |  |             |  |
|   | DCA APPROVED       |                  |  |             |  |
|   | HA NGUYEN          | 03/31/06         |  |             |  |
|   | ACAD FILE NUMBER   | C1648168A.DWG    |  |             |  |
|   |                    |                  | DWG SCALE  | 1=1         | SH 1 OF 3  |

This drawing involves proprietary design rights of Tyco Electronics Corporation, and all design, manufacture, reproduction, use and sale rights regarding the same are expressly reserved. It is submitted for a specific purpose and the recipient by accepting this drawing, assumes custody and control and agrees to take reasonable precautions: (a) that this drawing will not be copied and reproduced in whole or in part, or its contents revealed in any manner, or to any person except to meet the purpose for which it was delivered and (b) that any special features peculiar to this design will not be incorporated in other projects without the expressed written permission of Tyco Electronics Corporation.

| REVISIONS |     |             |      |
|-----------|-----|-------------|------|
| EC        | REV | DESCRIPTION | DATE |
|           |     | SEE SHEET 1 |      |



|  |                  |          |  |             |                         |
|--|------------------|----------|--|-------------|-------------------------|
| INCH OR INCH (MM)<br>THIRD ANGLE PROJECTION<br>UNLESS OTHERWISE SPECIFIED DIMENSIONS ARE IN INCHES (METRIC)<br>TOLERANCES<br>ANGLES ± .5'<br>DECIMALS<br>.XXX ± .010 (.25)<br>.XX ± .02 (.3) | DRAWN            | DATE     | Tyco Electronics Corporation<br>Menlo Park, Ca 94025 |             |                         |
|  | HA NGUYEN        | 03/31/06 | TITLE  |             |                         |
|  | CHECKED          |          | CONNECTOR, SOCKET HOUSING                            |             |                         |
|  | APPROVED         |          | 4X#8, 24X#20, 9X#12, PCB MOUNT                       |             |                         |
|  | APPROVED         |          | 75AMP MIDDLE DRAWER                                  |             |                         |
|  | STEVE FLICKINGER | 03/31/06 | SIZE   | DWG NUMBER  | REV.                    |
|  | DCA APPROVED     |          | B  | C = 1648168 | A                       |
|  | HA NGUYEN        | 03/31/06 | ACAD FILE NUMBER C1648168A.DWG                       |             | DWG SCALE 1=1 SH 2 OF 3 |

This drawing involves proprietary design rights of Tyco Electronics Corporation, and all design, manufacture, reproduction, use and sale rights regarding the same are expressly reserved. It is submitted for a specific purpose and the recipient by accepting this drawing, assumes custody and control and agrees to take reasonable precautions: (a) that this drawing will not be copied and reproduced in whole or in part, or its contents revealed in any manner, or to any person except to meet the purpose for which it was delivered and (b) that any special features peculiar to this design will not be incorporated in other projects without the expressed written permission of Tyco Electronics Corporation.

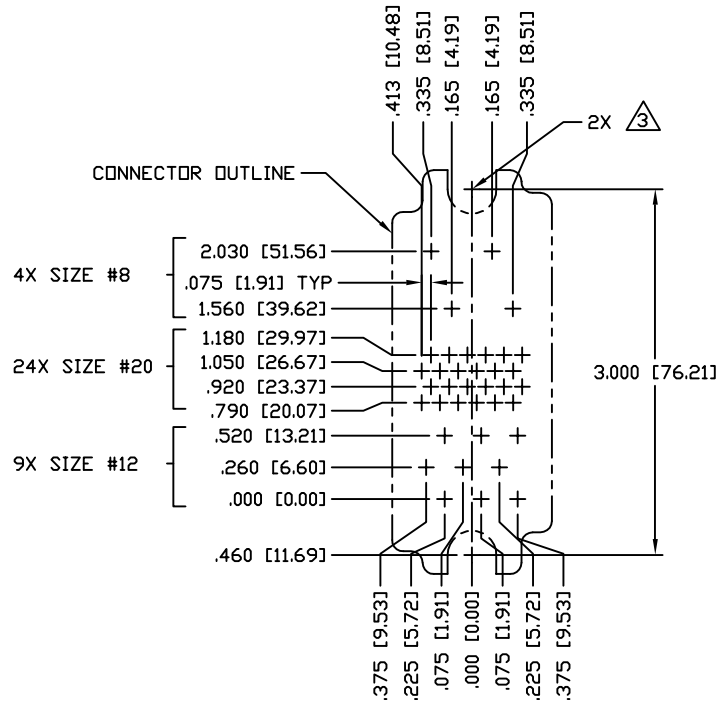
4

3

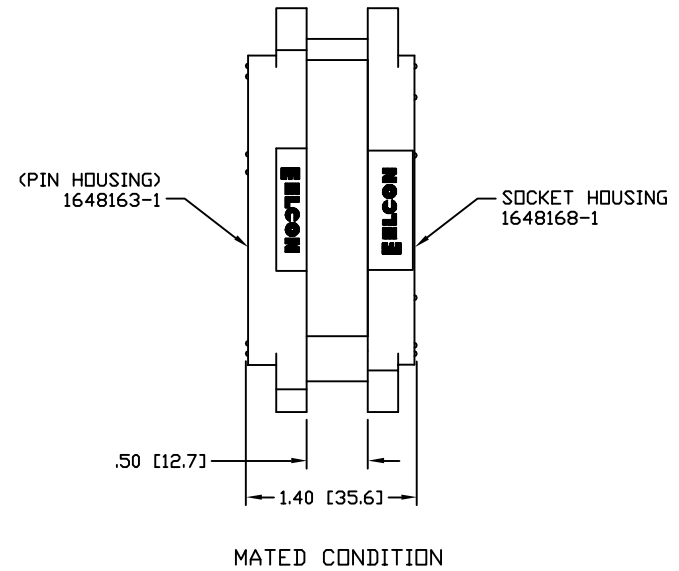
2

1

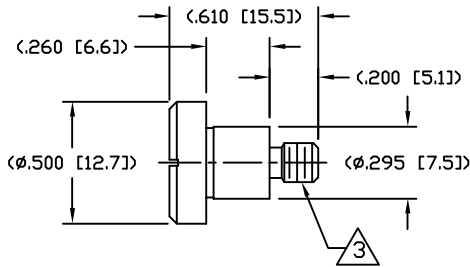
| REVISIONS |     |             |      |
|-----------|-----|-------------|------|
| EC        | REV | DESCRIPTION | DATE |
|           |     | SEE SHEET 1 |      |



RECOMMENDED CONTACT LAYOUT  
AS VIEWED FROM CONNECTOR MOUNTING SIDE  
(FRONT VIEW)



MATED CONDITION



SHOULDER SCREW  
SCALE 2:1  
SHOWN FOR REFERENCE ONLY

|  |                              |                  |  |             |  |
|--|------------------------------|------------------|--|-------------|--|
| INCH OR INCH (MM)<br><br>THIRD ANGLE PROJECTION<br>UNLESS OTHERWISE SPECIFIED DIMENSIONS ARE IN INCHES (METRIC)<br>TOLERANCES<br>ANGLES ± .5°<br>DECIMALS<br>.XXX ± .010 (.25)<br>.XX ± .02 (.3) | DRAWN<br>HA NGUYEN           | DATE<br>03/31/06 | Tyco Electronics Corporation<br>Menlo Park, Ca 94025 |             | <br>TITLE<br>USER INFORMATION<br>RECOMMENDED CONTACT LAYOUT<br>AND MATED CONDITION |
|  | CHECKED                      |                  | SIZE   | DWG NUMBER  |  |
|  | APPROVED                     |                  | B  | C = 1648168 |  |
|  | APPROVED<br>STEVE FLICKINGER | 03/31/06         | REV.<br>A  |             |  |
|  | DCA APPROVED<br>HA NGUYEN    | 03/31/06         | ACAD FILE NUMBER C1648168A.DWG                       |             | DWG SCALE 1=1 SH 3 OF 3  |

4

3

2

1