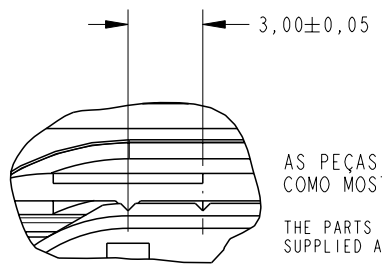
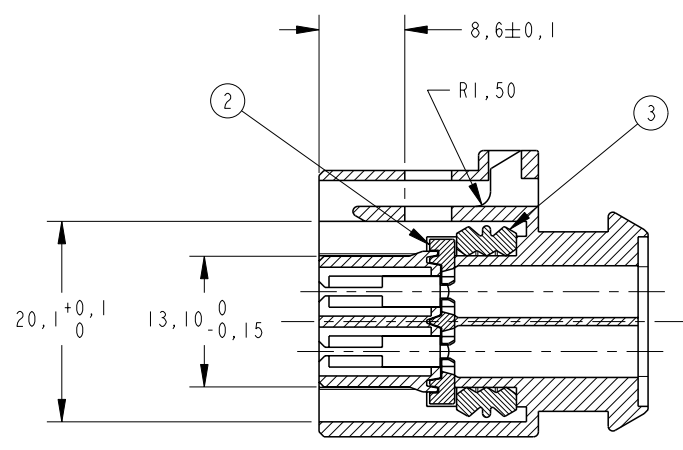
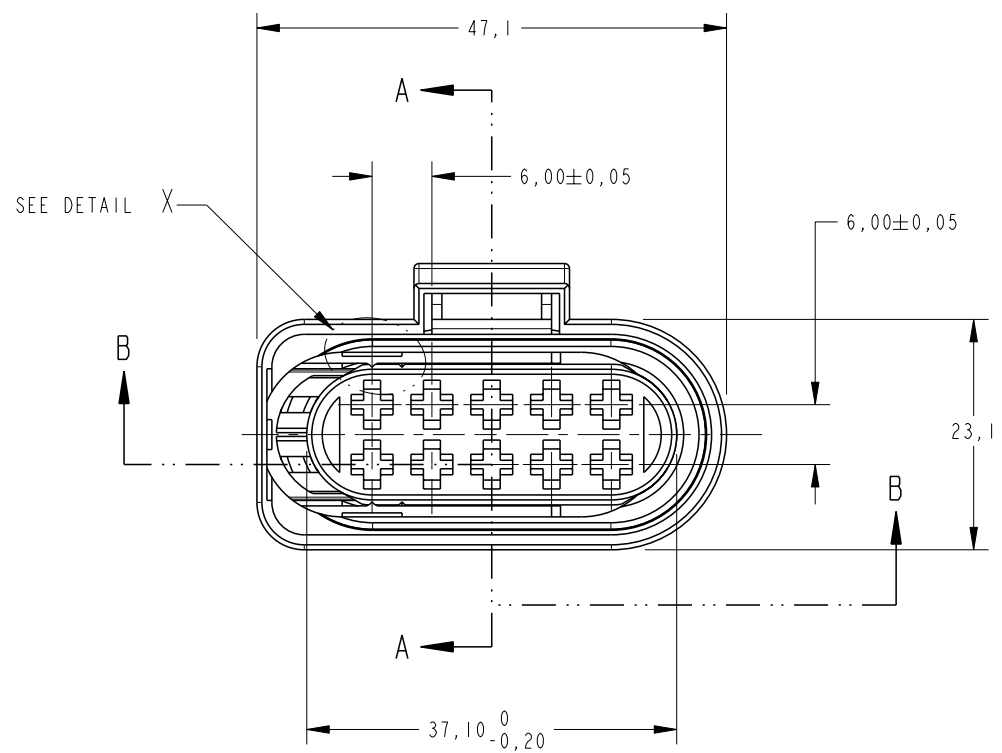
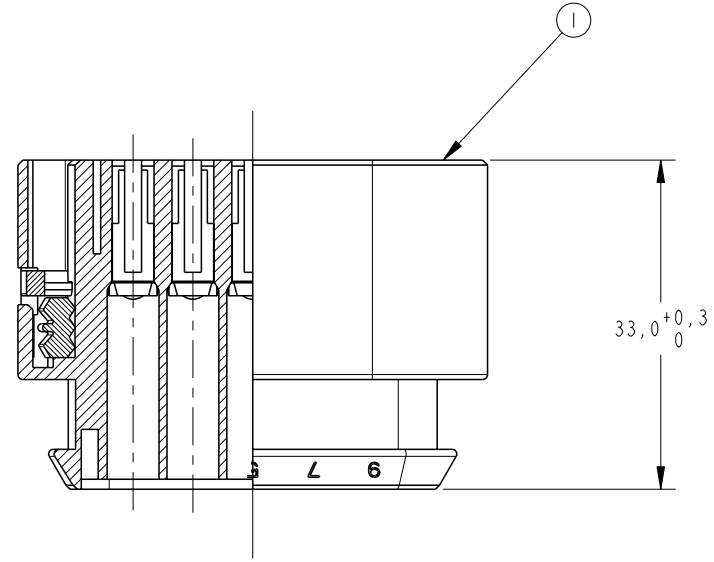


LOC		DIST		REVISIONS			
P	LTR	DESCRIPTION	DATE	DWN	APVD		
AP	-	E3	REVISED DESIGN ECO-11-009958	29JUN2011	NCL	MG	

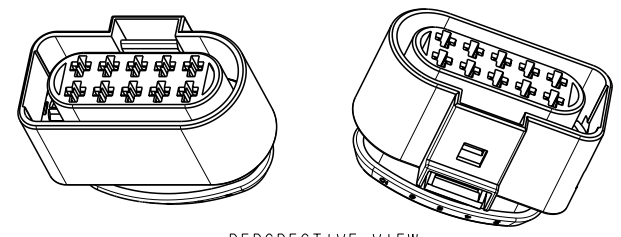


DETAIL X  
SCALE 5:1

AS PEÇAS SÃO FORNECIDAS COMO MOSTRADAS.  
 THE PARTS MUST BE SUPPLIED AS SHOWN.



SECTION B-B



PERSPECTIVE VIEW  
SCALE 1:1

- ① - VER DESENHO DE CLIENTE RESTRITO 493577-1
- 2 - USAR TERMINAIS CONFORME DESENHO DE CLIENTE 1355047.
- 3 - CONTRA PEÇA TE CONNECTIVITY UTILIZADA, VEJA DESENHO PN 493571.
- 4 - CONTRA PEÇA REFERÊNCIA VEJA FOLHA 2 DE 2.

- ① - SEE RESTRICTED CUSTOMER DRAWING 493577-1
- 2 - USED WITH TERMINALS ACC. TO CUSTOMER DRAWING 1355047.
- 3 - FOR TE CONNECTIVITY MATING PART SEE PN DRAWING 493571.
- 4 - FOR REFERENCE MATING PART SEE SHEET 2 OF 2

GRAVAÇÃO MARKING
LOGOTIPO TE TE LOGO
CÓDIGO PAÍS PRODUTOR MANUFACTURER COUNTRY CODE
NOMENCLATURA MATERIAL MATERIAL NOMENCLATURE
NÚMERO COMPONENTE TE CONNECTIVITY TE CONNECTIVITY COMPONENT NUMBER
NÚMERO CAVIDADE CAVITY NUMBER
IDENTIFICAÇÃO CIRCUITO CIRCUIT IDENTIFICATION
PAÍS PRODUTOR MANUFACTURER COUNTRY
REV+ LETRA REV.DA PEÇA REV.+ PART REV.LETTER

REQ. PER ASS'Y	ITEM	DESCRIPTION	MATERIAL	FINISH
1	3	CONNECTOR SEAL	SILICONE	LARANJA/ORANGE
1	2	SLIDING LOCK, 10 POSN. J.P.TIMER RCPT.	PBT+10% FV /GF	VIOLETA/VIOLET
1	1	HSG., 10 POSN. J.P.TIMER, RCPT	PBT	PRETO/BLACK
-2	-1			

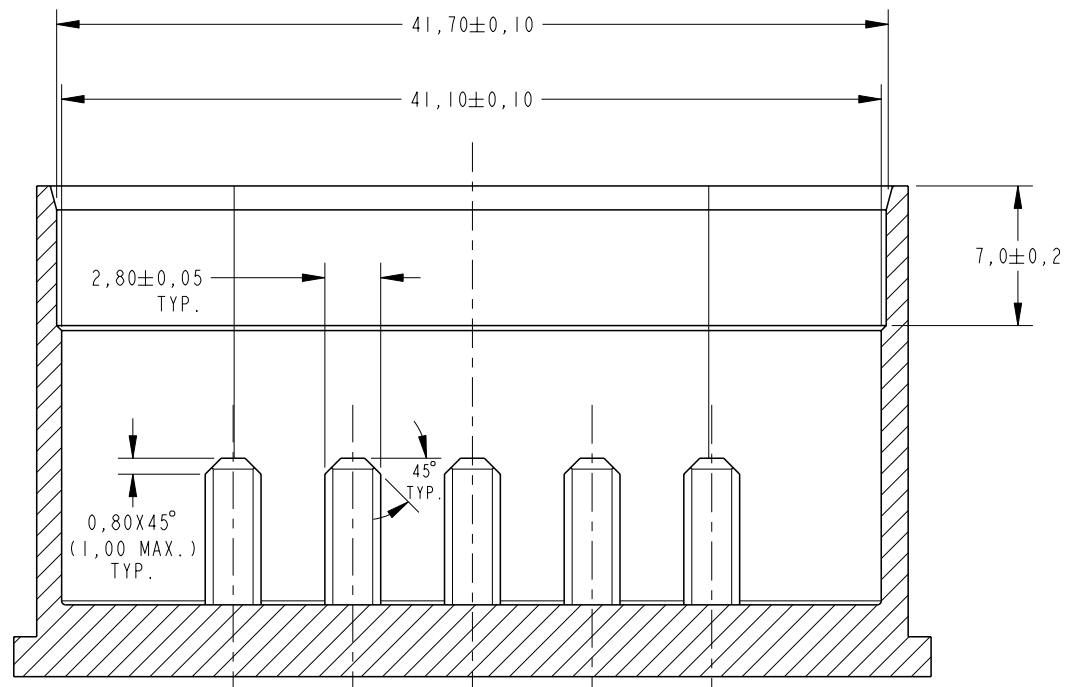
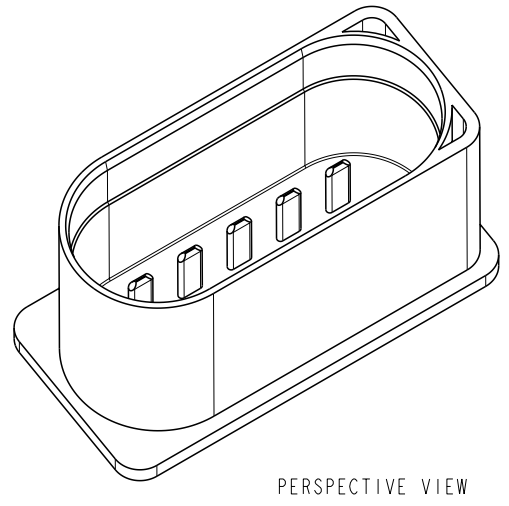
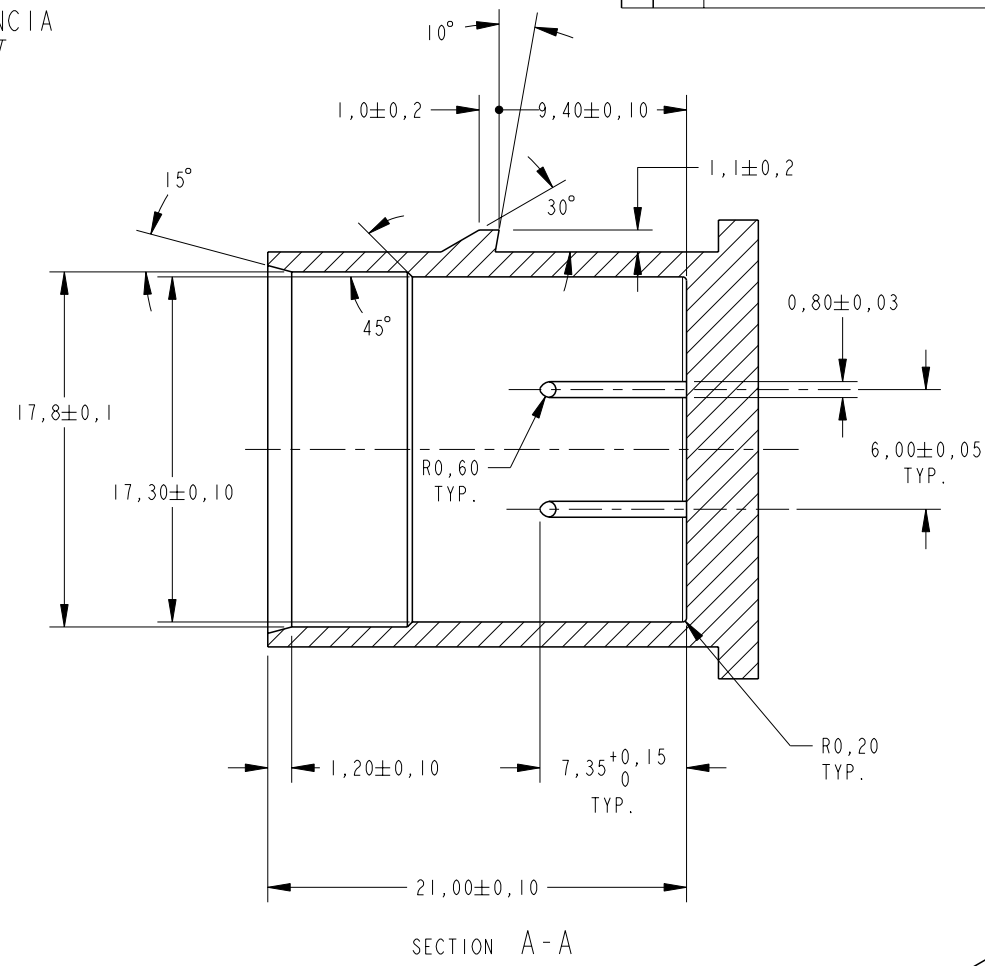
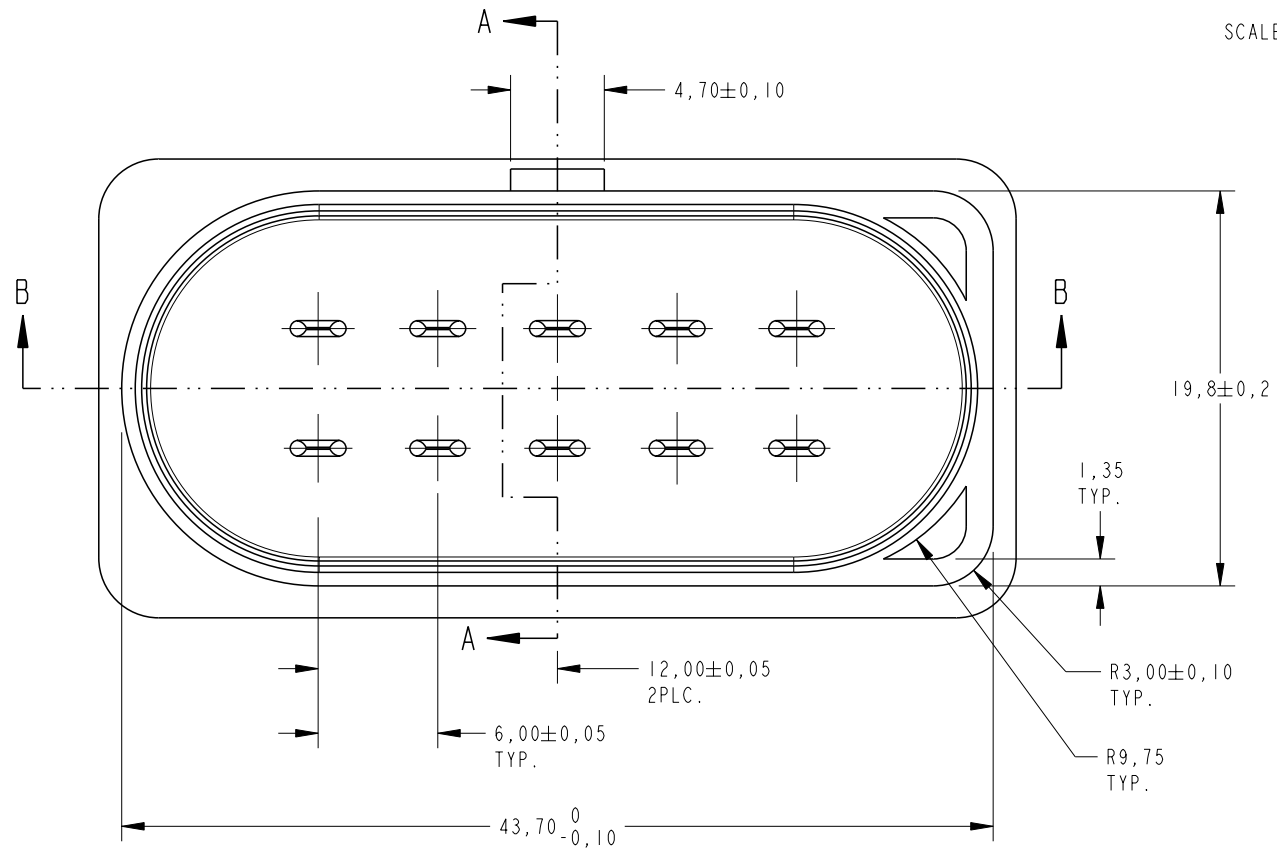
  

THIS DRAWING IS A CONTROLLED DOCUMENT.		DWN N.C.LAPRESA 17JUN99	TE Connectivity
DIMENSIONS: mm		CHK P.L.FARIA 17JUN99	
TOLERANCES UNLESS OTHERWISE SPECIFIED:		APVD P.R.SILVA 17JUN99	
0 PLC ± 1 PLC ±0,2 2 PLC ± 3 PLC ± 4 PLC ± ANGLES ±1° FINISH		NAME HSG., 10 POSN. J.P.TIMER, RCPT	
MATERIAL SEE TABLE	SEE TABLE	WEIGHT -	SIZE A2 CAGE CODE 00779 DRAWING NO 493577 RESTRICTED TO -
CUSTOMER DRAWING		SCALE 2:1	SHEET 1 OF 2 REV E3

493577

REVISIONS				DATE	DWN	APVD
P	LTR	DESCRIPTION				
-	-	SEE SHEET 1	-	-	-	-

CONTRA PEÇA REFERÊNCIA  
 REFERENCE MATING PART  
 SCALE 4:1



SECTION B-B

THIS DRAWING IS A CONTROLLED DOCUMENT.		DWN N.C.LAPRESA 17JUN99	 TE Connectivity	NAME HSG., 10 POSN. J.P.TIMER, RCPT
DIMENSIONS: mm		CHK P.L.FARIA 17JUN99		
TOLERANCES UNLESS OTHERWISE SPECIFIED		APVD P.R.SILVA 17JUN99		
0 PLC ±0,2 1 PLC ±0,1 2 PLC ±0,1 3 PLC ±0,1 4 PLC ±0,1 ANGLES ±1° FINISH		APPLICATION SPEC -		
MATERIAL SEE TABLE	SEE TABLE	WEIGHT -	SIZE A2	CAGE CODE 00779
CUSTOMER DRAWING		SCALE 2:1	DRAWING NO. 493577	RESTRICTED TO -
		SHEET 2	OF 2	REV E3

493577