

NOTES:

1. MATERIAL AND FINISH

BODY BRASS, GOLD PLATING
 CONTACT PIN BRASS, GOLD PLATING
 INSULATOR PEEK, NATURAL

2. ELECTRICAL:

- A. IMPEDANCE: 50 OHM
- B. FREQUENCY RANGE: DC-10 GHz
- C. RETURN LOSS: 30 dB MIN. @ DC-4 GHz
 25 dB MIN. @ 4-6 GHz
- D. INSERTION LOSS: $0.03X\sqrt{f(\text{GHz})}$ dB MAX.
- E. INSULATION RESISTANCE: 5 GOHM MIN.
- F. POWER HANDLING: 200 W MAX. @ 2.2 GHz AT 20°C
- G. INTERMODULATION(3rd order): -160 dBc MAX. @ 2X43dBm.
- H. DIELECTRIC WITHSTANDING VOLTAGE: 1000 VRMS. MIN.

3. MECHANICAL:

- A. MATING CYCLES: 100 MIN.
- B. TEMPERATURE RANGE: -65°C TO +165°C

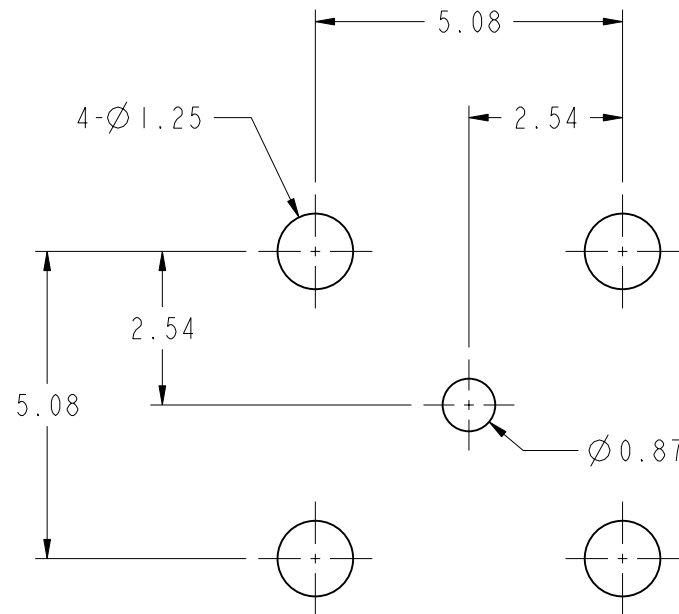
4. PACKAGING:

PACKAGE CONNECTOR IN TAPE WITH 13" REEL QTY OF 550 PCS

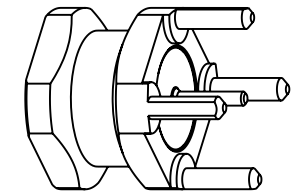
THIRD ANGLE PROJ.

REVISIONS

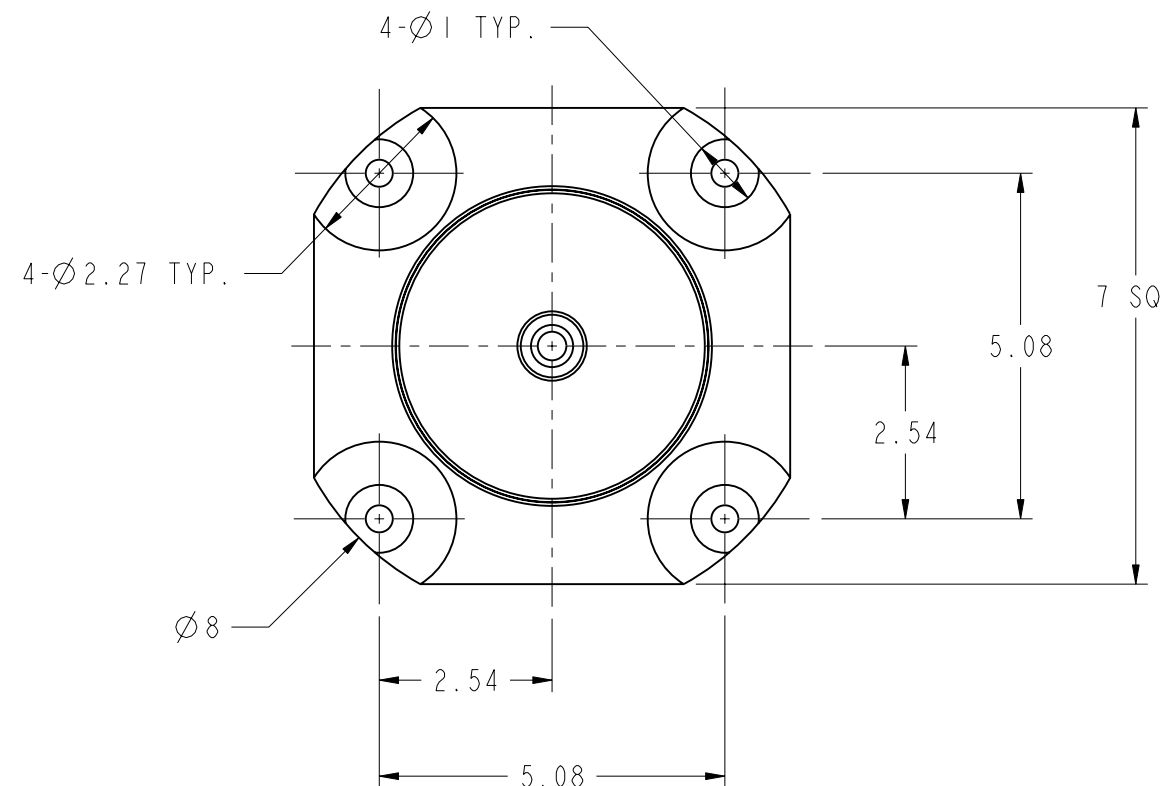
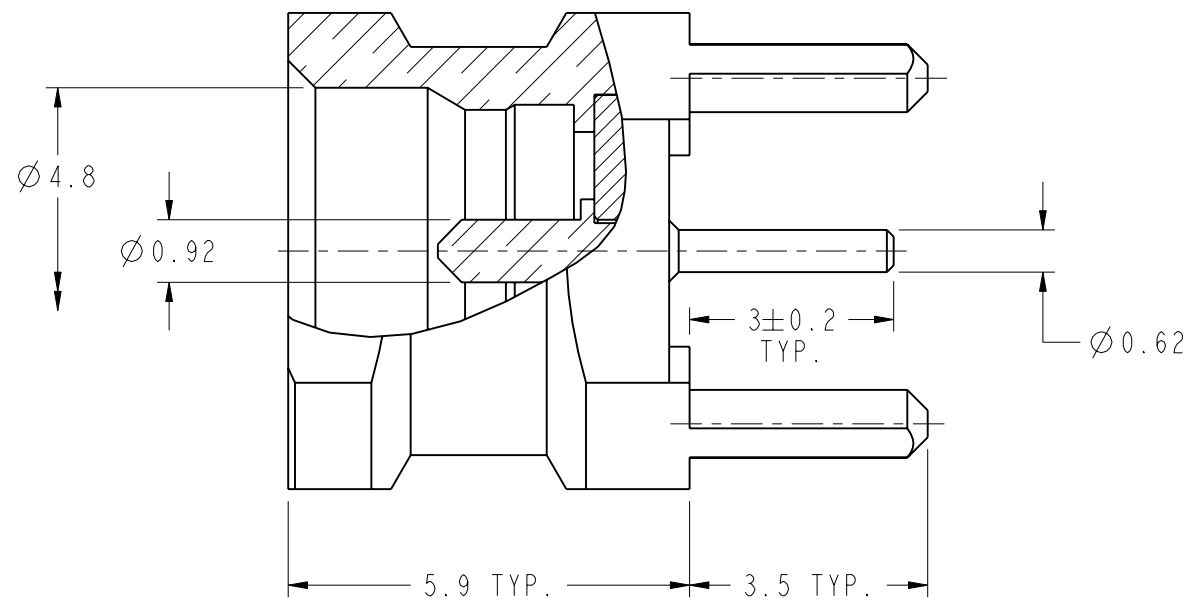
REV	DESCRIPTION	DATE	ECO	APPR
A	RELEASE TO MFG.	19-Aug-13		LL
B	NOTE 4 WAS CHANGED \RD-DMI4051901L2	27-May-14		S.H
C	TITLE WAS CHANGED. ADDED PART NO. PSMP-MSLD-PCT35 UPDATED RECOMMENDED PCB MOUNTING HOLE	03-Dec-15	50842	SW



RECOMMENDED PCB MOUNTING HOLE



SCALE 3.000



CUSTOMER OUTLINE DRAWING

ALL OTHER SHEETS ARE FOR INTERNAL USE ONLY

UNLESS OTHERWISE SPECIFIED, DIMENSIONS ARE IN METRIC AND TOLERANCES ARE: 0.5 - 6mm ±0.1mm 6 - 30mm ±0.2mm 30 - 120mm ±0.3mm ANGLES ±1°	MATERIAL	DRAWN STAMN	DATE	TITLE POWER-SMP, MALE LIMITED DETENT		Amphenol RF Danbury CT USA, Tainan, Taiwan, Shenzhen, China www.amphenolrf.com		
		ENGINEER RICKSON	DATE					
NOTICE - These drawings, specifications, or other data (1) are, and remain the property of Amphenol corp. (2) must be returned upon request; and (3) are confidential and not to be disclosed to any person other than those to whom they are given by Amphenol Corp. the finishing of these drawings, specifications, or other data by Amphenol Corp., or to any other person to anyone for any purpose is not to be regarded by implication or otherwise in any manner licensing, granting rights to permitting such holder or any other sperson to manufacture, use or sell any product, process or design, patented or otherwise, that may in any way be related to or disclosed by said drawings, specifications, or other data.	REFERENCE EAR05458 Rosen.119S10H-400L5 ALU:	APPROVED RICKSON	DATE	SCALE: 10.0:1.0	SHEET	2 OF 2	DRAWING NO. PSMP1251A1-003-8GPAP8GPA-50	
	FINISH PER KAI JACK SPEC.EP-SS-9700	I:\PSMP\PSMP1251A1-003-8GPAP8GPA-50	CAD FILE		DWG SIZE	CODE ID	REV	ITEM NO. 671251ABH022C5F
					B		C	PART NO. PSMP-MSLD-PCT35