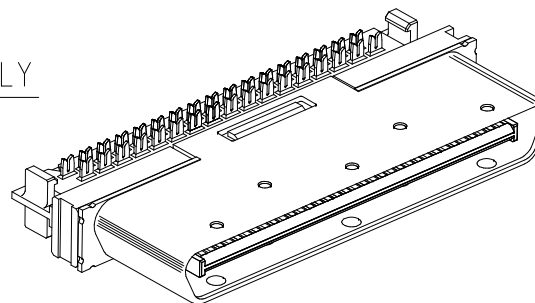
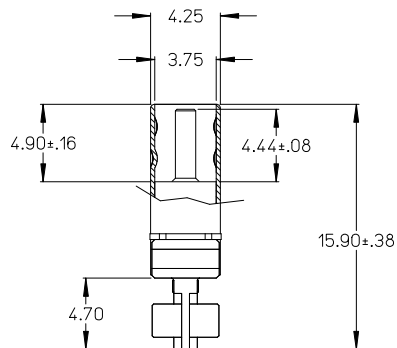
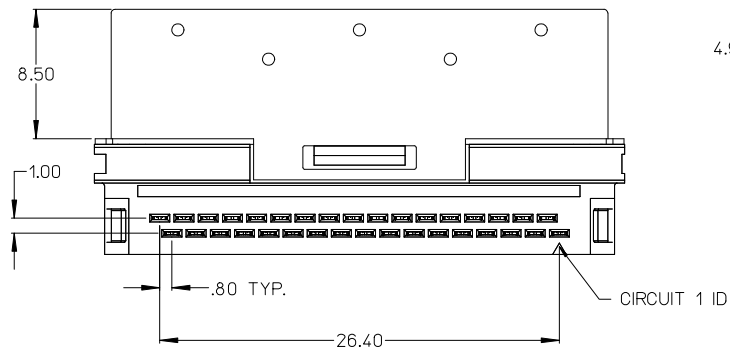


PLUG ASSEMBLY

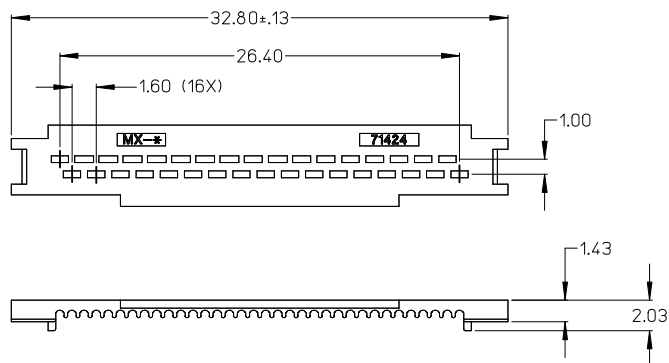


NOTES:

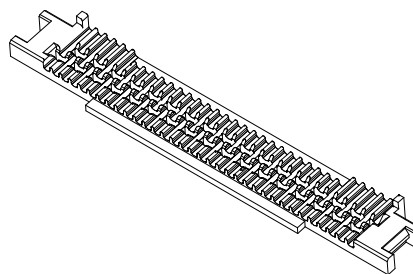
- MATERIALS:  
HOUSING: GLASS FILLED LIQUID CRYSTAL POLYMER (LCP), NATURAL; UL 94V-0  
TERMINALS: COPPER ALLOY  
SHIELD: ALUMINUM KILLED STEEL
- FINISH: TERMINALS: 0.05 MICROMETER MINIMUM GOLD FLASH OVER 0.75 MICROMETER MINIMUM PALLADIUM NICKEL IN THE CONTACT AREA  
NICKEL UNDERPLATE OVERALL  
SHIELD: 2.54 MICROMETER MINIMUM BRIGHT NICKEL OVER COPPER FLASH.
- ASSEMBLY MATES WITH RECEPTACLE #71430 AND 73776.
- PACKAGED PER PK-70873-0851.
- PRODUCT CONFORMS TO PS-71425-9999.
- FOR DIE CAST SHELL KITS SEE SD-73796-008.
- PART COMPLIES WITH CLASS B OF COSMETIC SPECIFICATION PS-45499-002.
- TO BE USED WITH 28-30 AWG STRANDED WIRE OR 30 AWG SOLID CORE WIRE.
- SEE AS-71425-001 FOR WIRE TERMINATION GUIDELINES.



SECTION A-A



WIRE COVER



KIT COMPONENTS			
KIT ITEM #	DESCRIPTION	QUANTITY	ITEM PART #
71425-3001	PLUG ASSEMBLY	1	71425-0002
	WIRE COVER	2	71424-0001

<b>CLARIFY NOTE 7</b> EC NO: UCP2011-0353 DRWN:BBARKER 2010/08/09 CHKD: SMILLER 2010/11/23 APPR:SMILLER	DESCRIPTION 2010/11/23	QUALITY SYMBOLS 	GENERAL TOLERANCES (UNLESS SPECIFIED) <table border="1"> <tr> <th></th> <th>mm</th> <th>INCH</th> </tr> <tr> <td>4 PLACES</td> <td>± .005</td> <td>± .0005</td> </tr> <tr> <td>3 PLACES</td> <td>± .005</td> <td>± .0005</td> </tr> <tr> <td>2 PLACES</td> <td>± .025</td> <td>± .001</td> </tr> <tr> <td>1 PLACE</td> <td>± .005</td> <td>± .0005</td> </tr> </table>		mm	INCH	4 PLACES	± .005	± .0005	3 PLACES	± .005	± .0005	2 PLACES	± .025	± .001	1 PLACE	± .005	± .0005	DIMENSION STYLE <b>MM ONLY</b> DRAWN BY DATE BBARKER 2002/10/29 CHECKED BY DATE DMORGAN 2002/10/29 APPROVED BY DATE SMILLER 2010/11/23	SCALE <b>METRIC</b> DESIGN UNITS <b>METRIC</b> THIRD ANGLE PROJECTION	TITLE <b>VHDCI 0.8 MM PITCH          68 CIRCUIT IDT PLUG          KIT - SALES ASSEMBLY</b>
		mm	INCH																		
	4 PLACES	± .005	± .0005																		
	3 PLACES	± .005	± .0005																		
2 PLACES	± .025	± .001																			
1 PLACE	± .005	± .0005																			
DRAFT WHERE APPLICABLE MUST REMAIN WITHIN DIMENSIONS			MATERIAL NO. <b>SEE TABLE</b>	DOCUMENT NO. <b>SD-71425-2002</b>	SHEET NO. <b>1 OF 1</b>																
THIS DRAWING CONTAINS INFORMATION THAT IS PROPRIETARY TO MOLEX INCORPORATED AND SHOULD NOT BE USED WITHOUT WRITTEN PERMISSION																					
MOLEX INCORPORATED																					