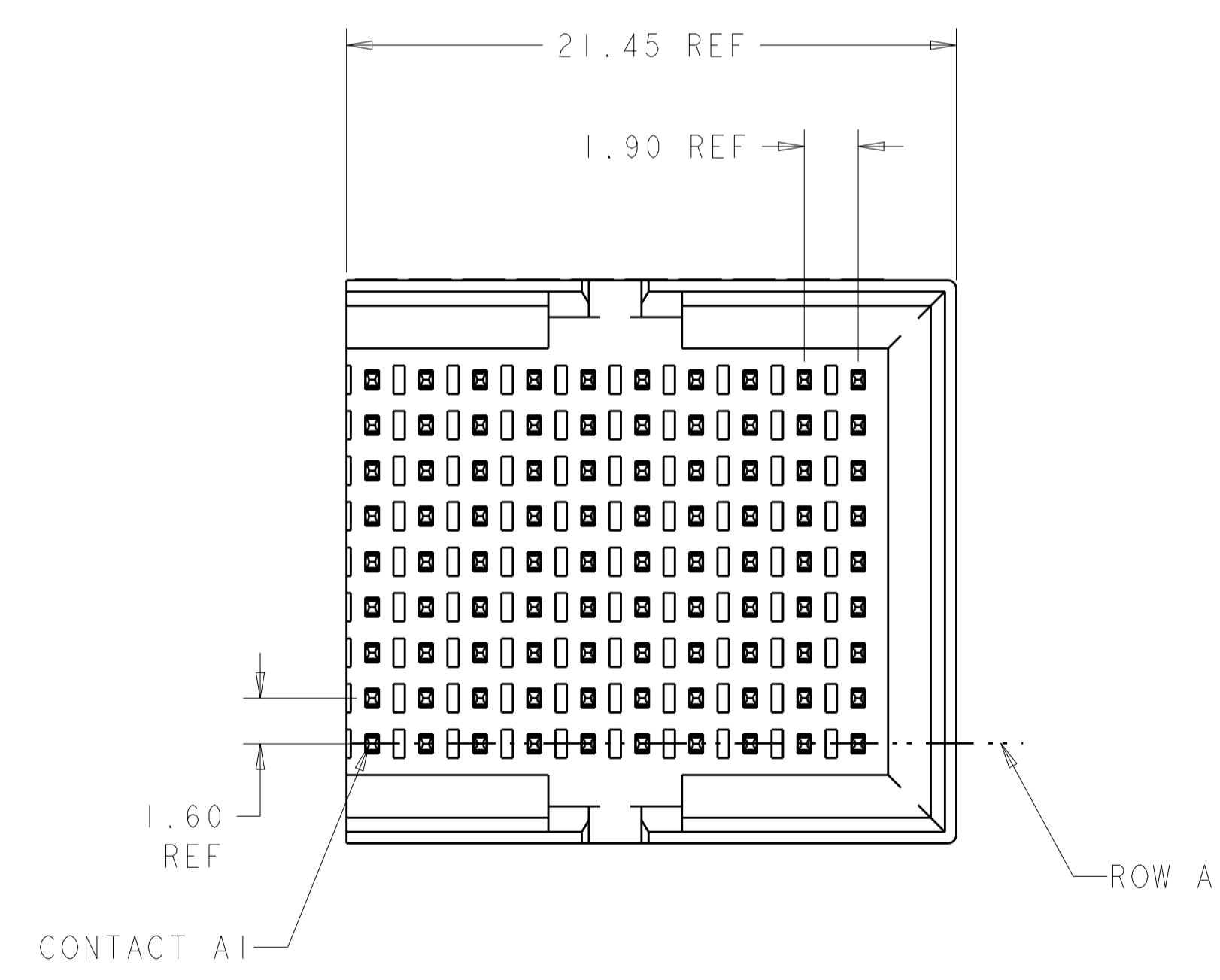
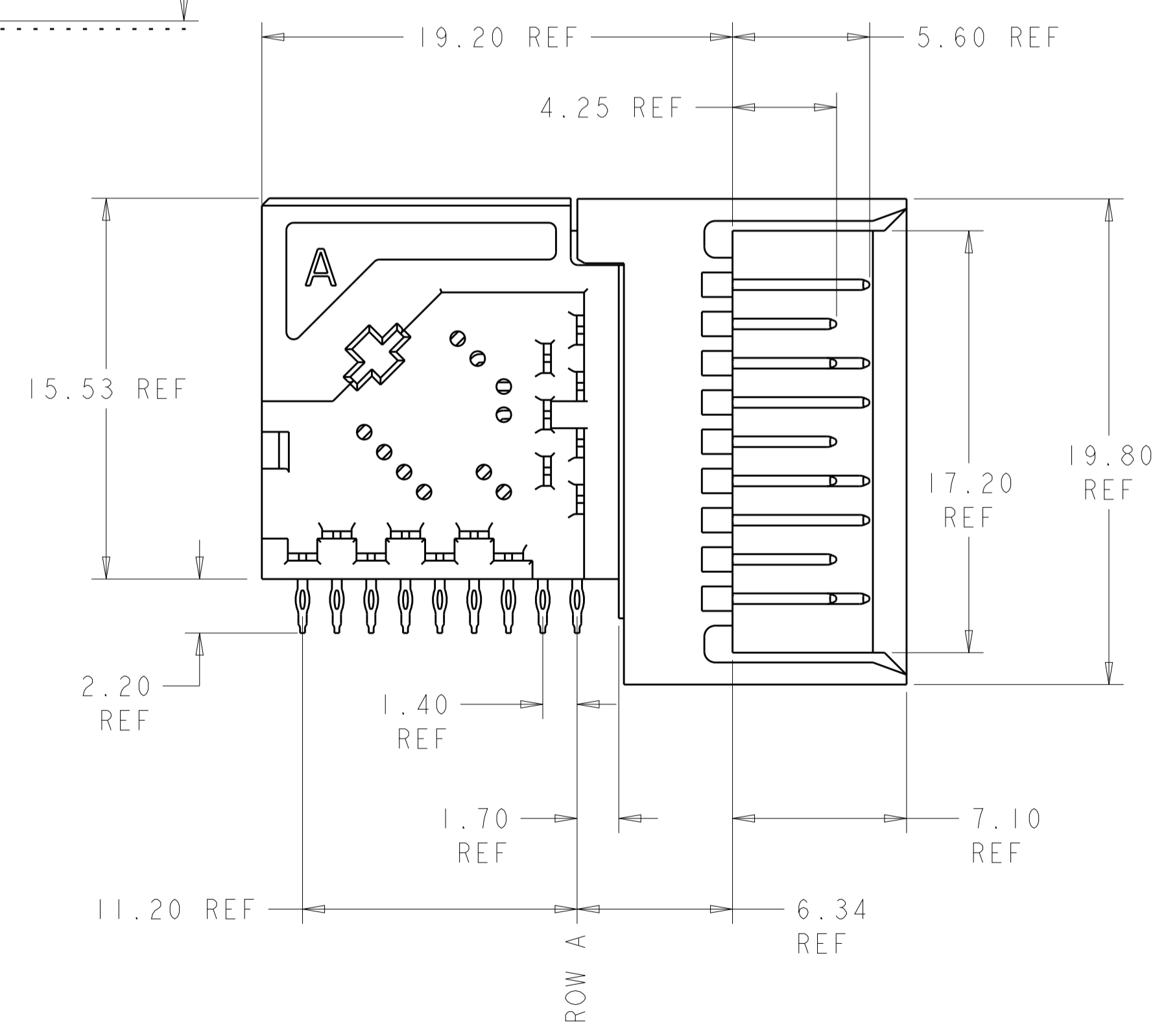
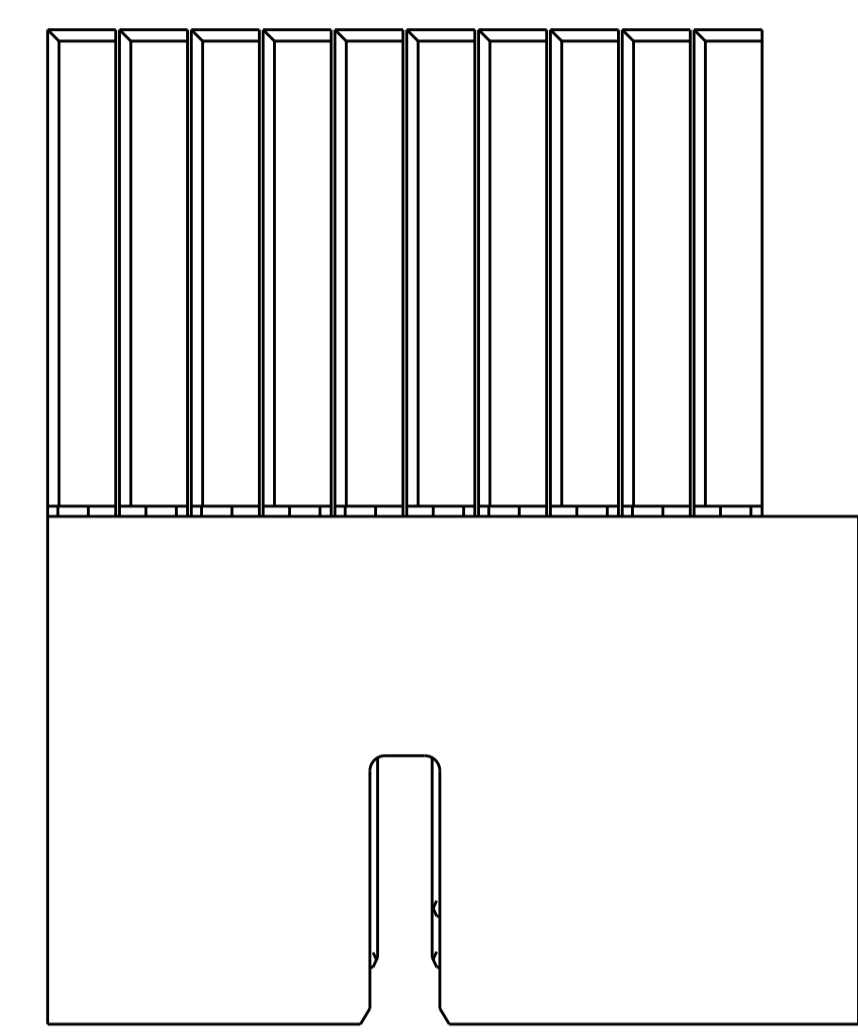
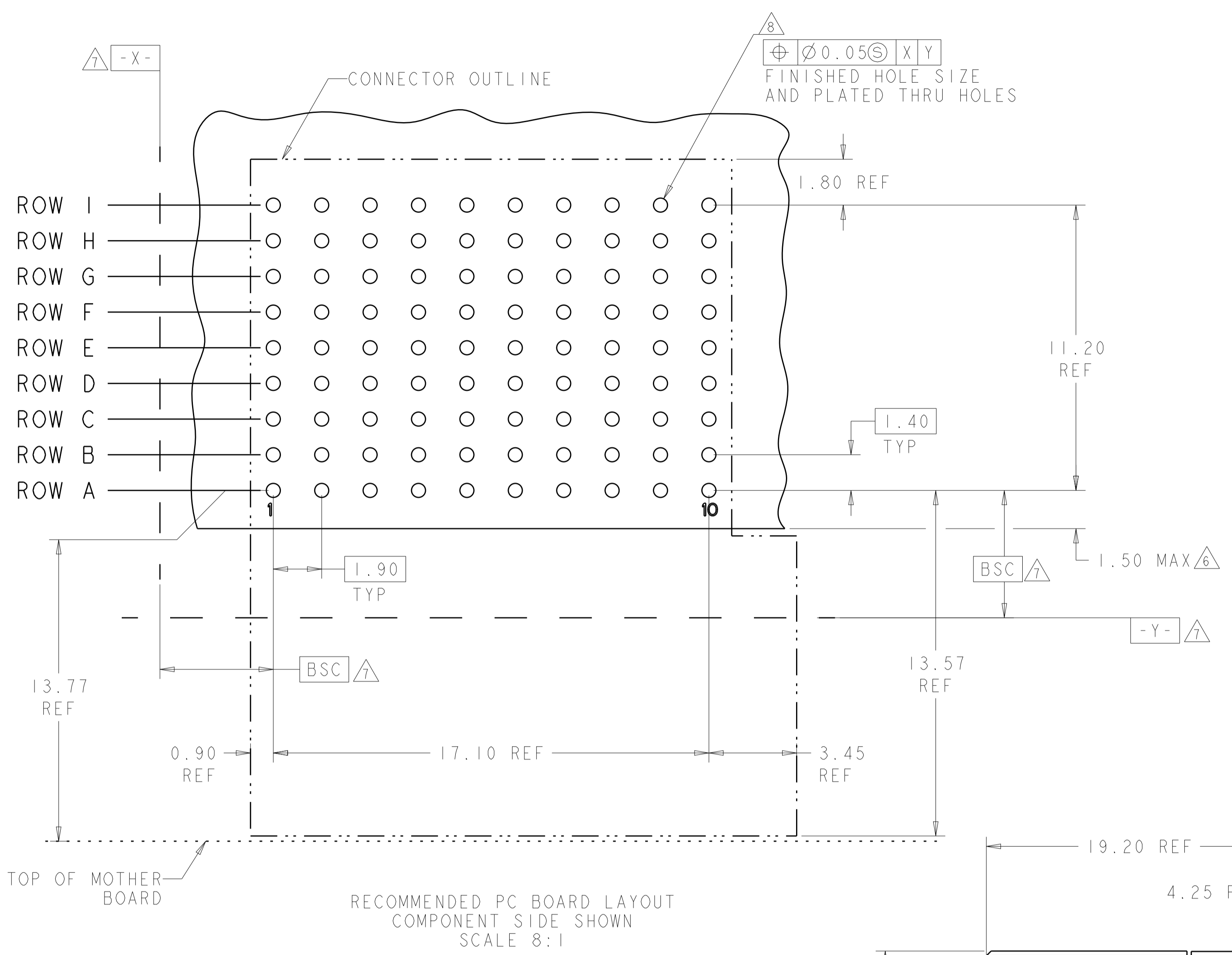


LOC		DIST		REVISIONS			
P	LTN	DESCRIPTION	DATE	DWN	APVD		
B		REV PER ECO 12-010940	7-31-12	CT	DH		
C		ECO-13-004755	26MAR2013	KG	DH		



- 1 MATERIAL:
CONTACT AND SHIELD: COPPER ALLOY
HOUSING AND CHICKLET: LCP, COLOR: BLACK
- 2 FINISH:
CONTACT: MATING AREA: 1.27µm MIN GOLD OVER
1.27µm MIN NICKEL
- 3 FINISH:
COMPLIANT PIN AREA: 0.38µm MIN BRIGHT TIN LEAD OVER
1.27µm MIN NICKEL
- 4 FINISH:
COMPLIANT PIN AREA: 0.38µm MIN MATTE TIN OVER
1.27µm MIN NICKEL
- 5 FINISH:
COMPLIANT PIN AREA: 0.38µm MIN GOLD OVER
1.27µm MIN NICKEL
- 6 DIMENSION APPLIES TO CENTERLINE OF THRU HOLE.
- 7 DATUMS AND BASIC DIMENSIONS ESTABLISHED BY CUSTOMER.
- 8 REFERENCE APPLICATION SPEC 114-13267 FOR RECOMMENDED PLATED THRU HOLE DIAMETER AND PLATING THICKNESS.

2 5	2102317-3
2 4	2102317-2
2 3	2102317-1
FINISH	PART NUMBER

THIS DRAWING IS A CONTROLLED DOCUMENT. DIMENSIONING AND TOLERANCING PER GPS (130 STANDARDS).

DIMENSIONS:	TOLERANCES UNLESS OTHERWISE SPECIFIED:	DWN: D. BELACK 16AUG2010	CHK: A. TSANG 8-16-2010	APVD: M. McALONIS 8-16-2010
mm	0 PLC ±	NAME: Fortis Zd. 10-COLUMN, R/A RIGHT MODULE ASSEMBLY SINGLE ENDED		
	1 PLC ±.13	SIZE: CAGE CODE: DRAWING NO: 114-13267		
	3 PLC ±.05	RESTRICTED TO: -		
	4 PLC ±	WEIGHT: ~11.76g		
	ANGLES ±	SCALE: 5:1 SHEET 1 OF 1 REV C		
MATERIAL:	FINISH:	CUSTOMER DRAWING		