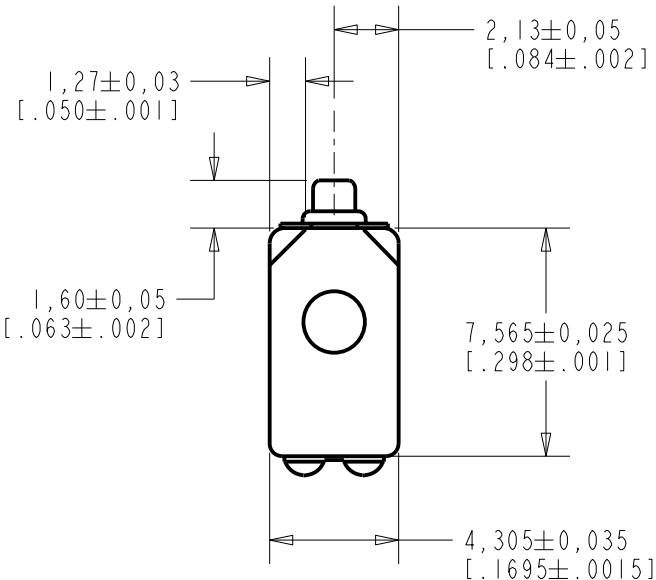
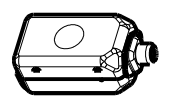
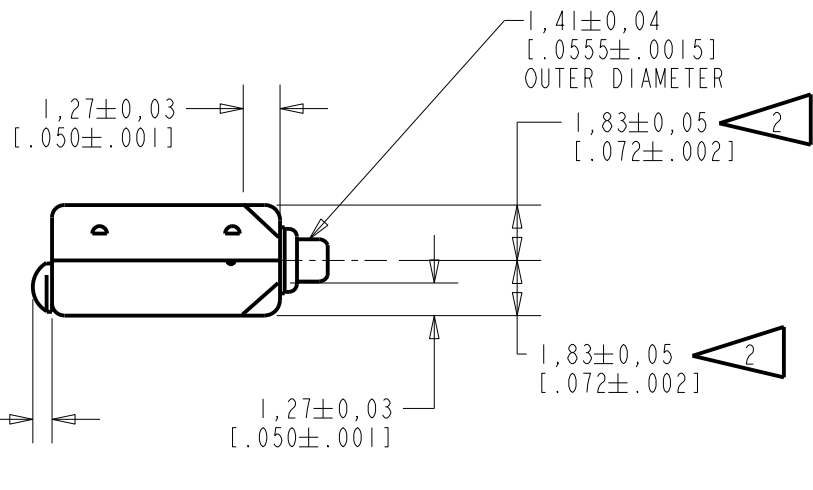
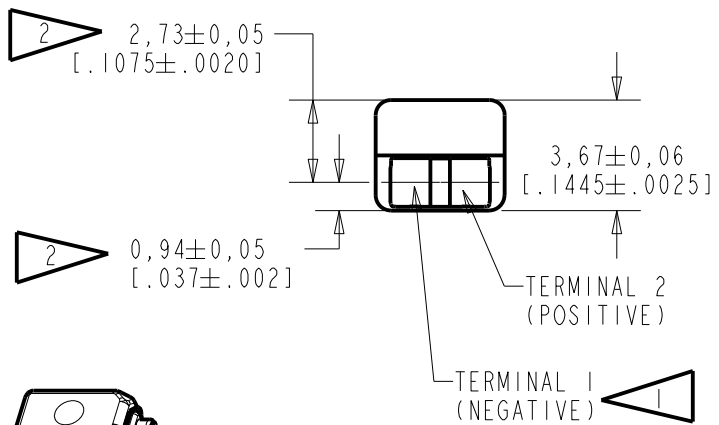


EC-27906-000
SHT 1.1



NOTE:

- 1 A POSITIVE GOING VOLTAGE AT TERMINAL 2, RELATIVE TO TERMINAL 1, CAUSES A DECREASE IN PRESSURE AT THE SOUND OUTLET.
- 2 LOCATED FROM TWO SURFACES FOR CUSTOMER CONVENIENCE. ONLY APPLICABLE FROM ONE SURFACE, NOT TO BE USED TOGETHER.

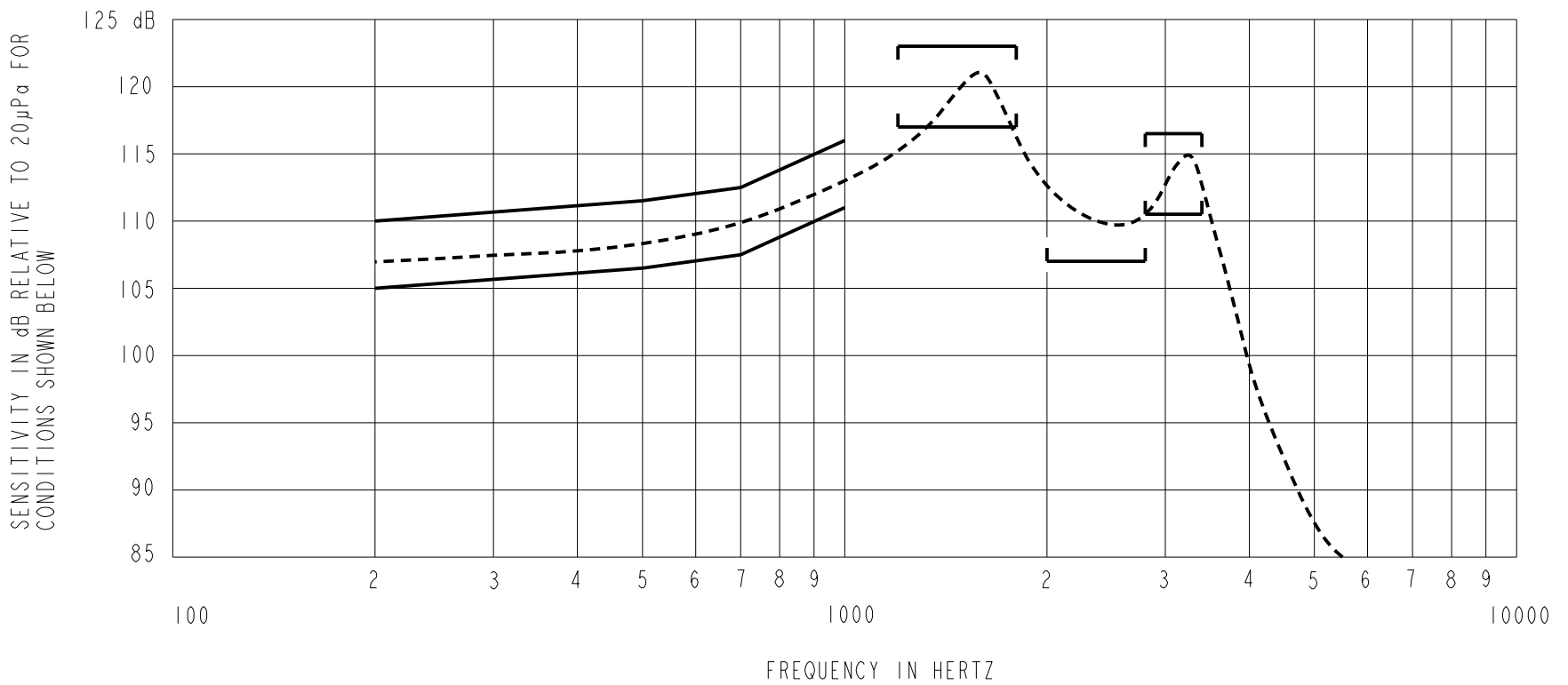


SCALE 2:1
NOMINAL WEIGHT
.42 GRAMS
DIMENSIONS IN MILLIMETERS [INCHES]

Revision	C.O. #	Implementation Date	RELEASE LEVEL	REVISION
C	CI0115009	8-2-13	Active	C
B	CI0106330	9-3-07		
A	CI0103464	11-23-05		

SCALE: 4:1		DR. BY	DATE
DO NOT SCALE DRAWING		CRG	11-23-05
		CK. BY	DATE
TITLE: RECEIVER OUTLINE DRAWING		GJP	11-22-05
		EC-27906-000 SHT 1.1	

KNOWLES ELECTRONICS
ITASCA, ILLINOIS U.S.A.



NOTES:

1. MEASUREMENTS MADE USING 10mm (.394") OF 1mm (.039") ID TUBE CONNECTED TO A SIMULATED ANSI S3.7 TYPE HA-3 COUPLER . (IEC 60318-5).

2. SENSITIVITY

FREQUENCY	MIN.	MAX.
200	105.0	110.0
500	106.5	111.5
700	107.5	112.5
1000	111.0	116.0
1200-1800	117.0	123.0
2000-2800	107.0	---
2800-3400	110.5	116.5

3. RESPONSE, IMPEDANCE, AND DISTORTION MEASUREMENTS MADE USING THE ELECTRICAL TEST CONDITIONS SHOWN BELOW.
 4. ELECTRICAL SOURCE IMPEDANCE MUST BE GREATER THAN 20 TIMES 1KHz IMPEDANCE FOR TEST CONDITIONS SHOWN BELOW.
 5. INDIVIDUAL SPECIFICATIONS:

PORT LOCATION	IMPEDANCE OHMS ±15%		DCR @20°C OHMS ±10%	DISTORTION		ELECTRICAL TEST CONDITIONS	
	1KHz	500Hz		MAX. %	FREQ Hz	AC mA RMS	DC mA
12S	575	305	190	10	800	1.09	0.00

Revision	C.O. #	Implementation Date	RELEASE LEVEL	REVISION
C	C10115009	8-2-13	Active	C
B	C10106330	9-3-07		
A	C10103464	11-23-05		

KNOWLES ELECTRONICS
 ITASCA, ILLINOIS U.S.A.

WHEN TEST LIMITS ARE USED TO ESTABLISH INCOMING INSPECTION ACCEPTANCE/REJECTION CRITERIA, CORRELATION OF TEST EQUIPMENT WITH KNOWLES IS ALSO REQUIRED FOR ELIMINATION OF EQUIPMENT AND TEST METHOD VARIATION

TITLE: **RECEIVER** **EC-27906-000**
 PERFORMANCE SPECIFICATION **SHT 2.1**

DR. BY	DATE
CRG	11-23-05
CK. BY	DATE
GJP	11-22-05
APP. BY	DATE
GJP	11-22-05