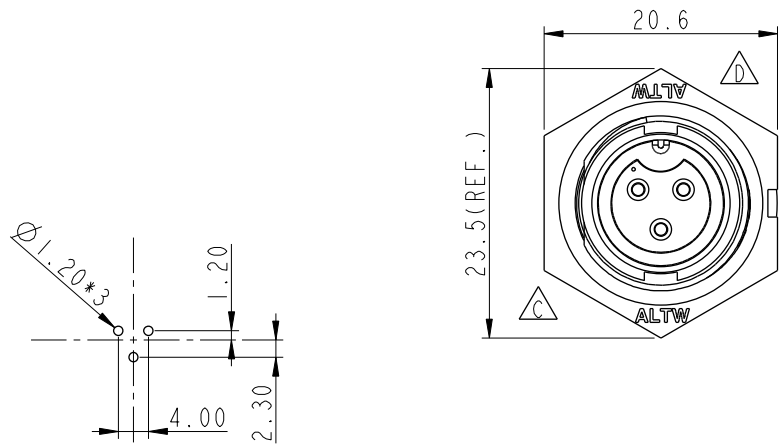
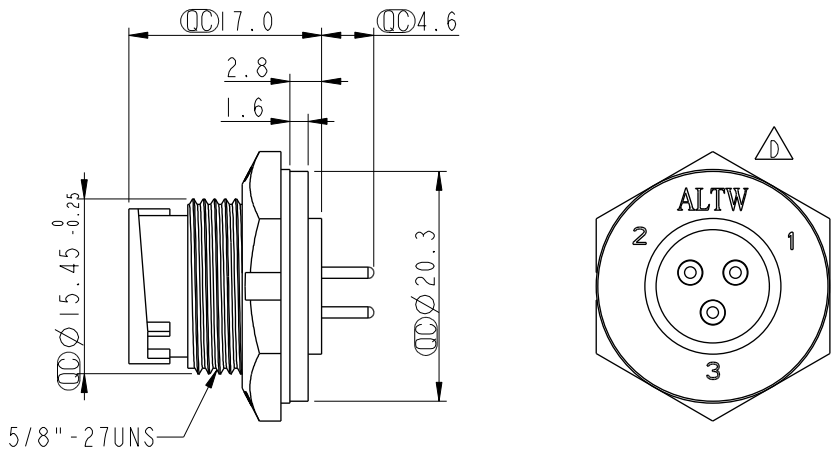


ALTW  
CONFIDENTIAL  
2017-03-21  
R&D DEPT.

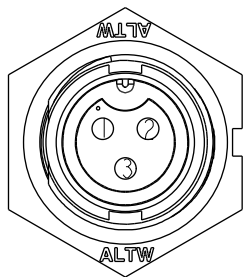
REV.	ECN NO.	DATE	SIGN	DESCRIPTION
B		2008/09/22	Shin	Add Note
C	LE3-8C0063	2008/11/07	TOMMY	Change To Pin Hole
D	LEN1730296	2017/03/21	Ruru	Change Logo



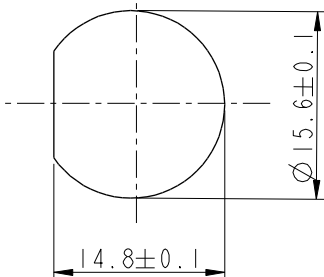
3Pin Male Connector  
Female Pin PCB Layout



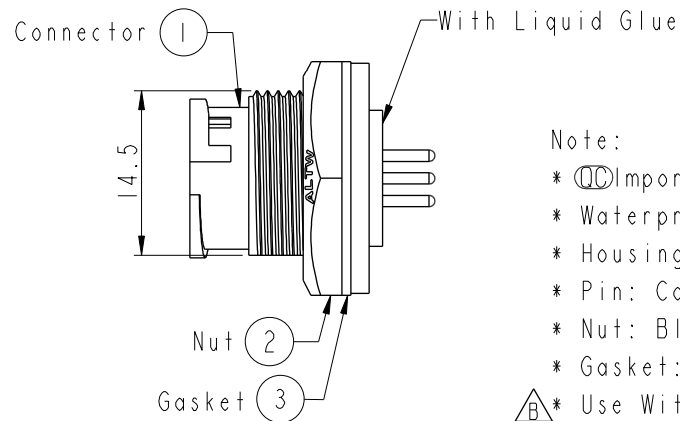
ALTW  
DCC. DEPT.  
CONFIDENTIAL  
2017.03.29  
ISSUED



Pin Assignments  
Front View



Recommended Panel Cut-out

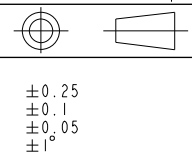


Note:

- \*  $\varnothing$  Important Dimension To Check.
- \* Waterproof Rate: IP67
- \* Housing: Black, Nylon+GF
- \* Pin: Copper Alloy, Gold Plated
- \* Nut: Black, Nylon+GF
- \* Gasket: Black, EPDM
- $\triangle A$ \* Use With Waterproof Cap Or Dust Cap  
Panel Thickness Max: 3.0mm
- $\triangle B$ \* Use Without Waterproof Cap Or Dust Cap  
Panel Thickness Max: 4.5mm

UNIT:mm

TOLERANCE	
.X	±0.25
.XX	±0.1
.XXX	±0.05
ANGLES	±1°



TITLE Standard Panel Lock 3Pin M Conn F Pin			
SCALE 2:1	SIZE A4	SHEET 1 OF 1	
REV. D	WC-REV. A.2	$\varnothing$ : Inspection item	

**Amphenol LTW**  
安費諾亮泰企業股份有限公司

ITEM NO. BD-03PMFP-LC7001	DRAWN BY Ruru	DATE 2017-03-21
DWG NO. BD-03PMFP-LC7001	CHECKED BY Rita	DATE 2017-03-21
CUSTOMER ALTW	APPROVED BY Max	DATE 2017-03-21

THIS DOCUMENT IS SUBJECT TO CHANGE WITHOUT NOTICE. IT IS CONFIDENTIAL AND A PROPERTY OF AMPHENOL LTW. DISCLOSURE TO THIRD PARTY HAS TO BE AUTHORIZED BY AMPHENOL LTW.