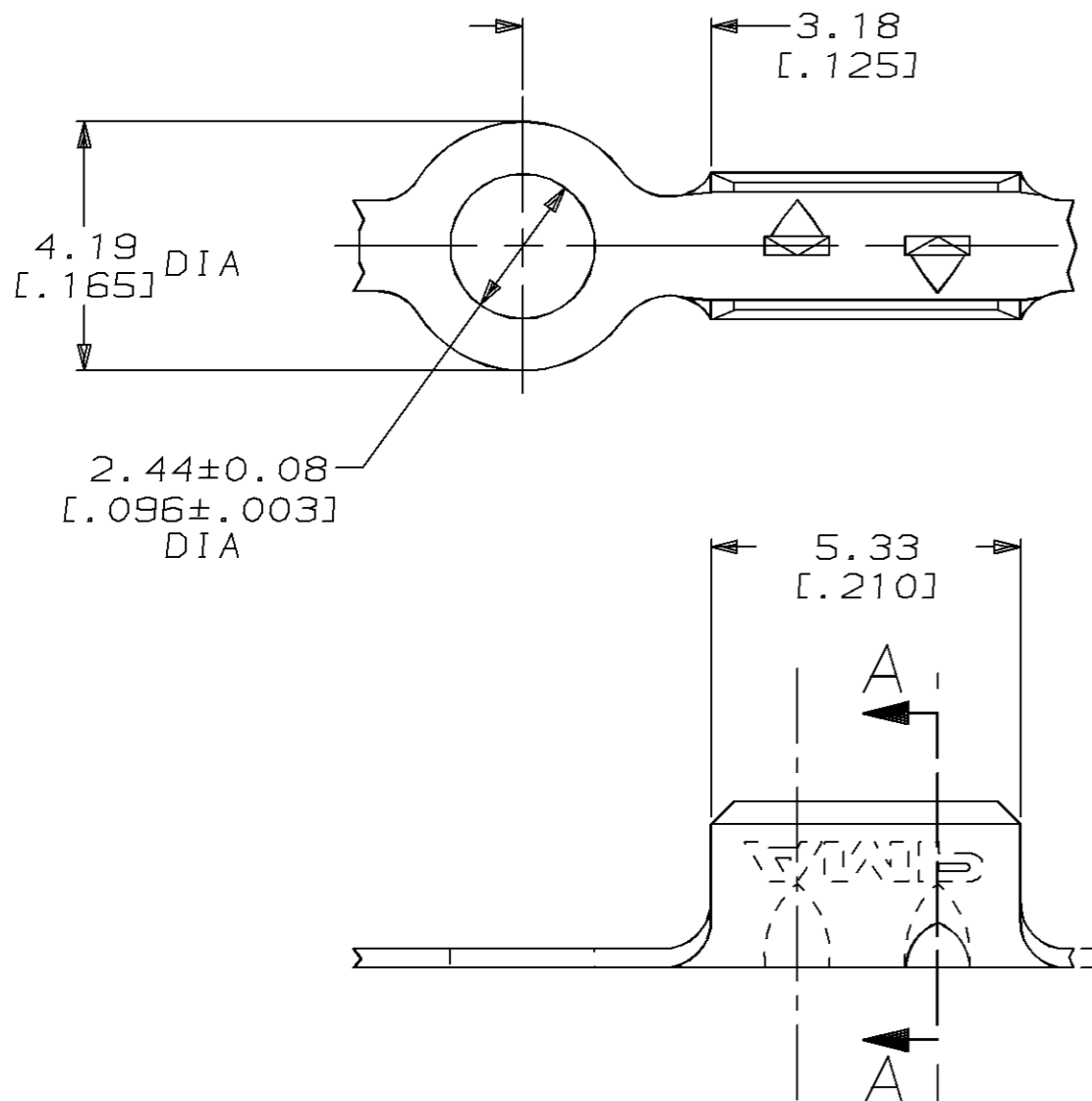
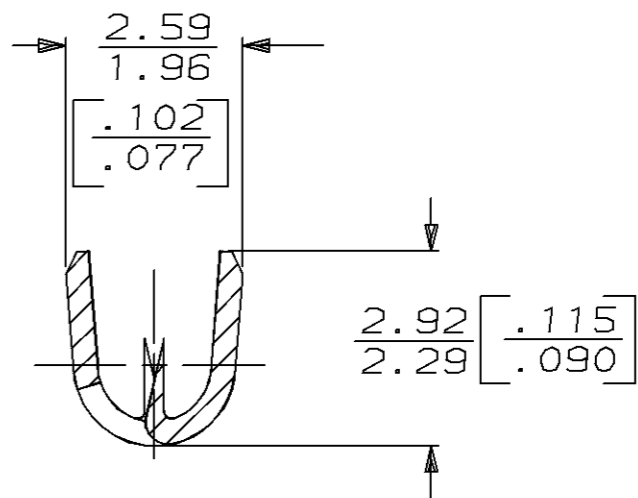


THIS DRAWING IS UNPUBLISHED. RELEASED FOR PUBLICATION, 19  
 © COPYRIGHT 19 BY AMP INCORPORATED. ALL INTERNATIONAL RIGHTS RESERVED.

LOC	DIST	P	F	REVISIONS				
AF	50			ZONE	LTR	DESCRIPTION	DATE	APPD
					S	REV & REDRAWN PER 0310-94	6/14/94	PF/GY



1 CONTINUOUS STRIP ON REEL.



SECTION A-A  
SCALE 10:1

0.330±0.025  
[.013±.001]

1.27-1.65 DIA [.050-.065]		[22-20] AWG	41376
INSULATION RANGE		WIRE RANGE	PART NO
DO NOT SCALE PRINT. UNLESS SPECIFIED DIMENSIONS IN mm [INCHES] TOLERANCES ON: 2 PLC DEC ± 0.25 [.010] 3 PLC DEC ± - ANGLES ± -	DR 6/15/94 PHILLIP M FORTNEY	<b>AMP</b> AMP Incorporated Harrisburg, PA 17105-3608	
	CHK 6/15/94 JEFF R RUTH		
	APPD 6/15/94 GARY YETTER	NAME	
	APPD 6/15/94 RON KUZO	RING, INSULATION PIERCING	
MATERIAL 082 BRASS	PRODUCT SPEC -	SIZE B	CAGE CODE 00779
FINISH 0.00381 [.000150] MIN PRE-TIN PL PER MIL-T-10727	APPLICATION SPEC -	DRAWING NO C=41376	SCALE 8:1
WEIGHT -		SHEET	1 OF 1

THIS DRAWING IS A CONTROLLED DOCUMENT FOR AMP INCORPORATED. IT IS SUBJECT TO CHANGE AND THE CONTROLLING ENGINEERING ORGANIZATION SHOULD BE CONTACTED FOR THE LATEST REVISION.