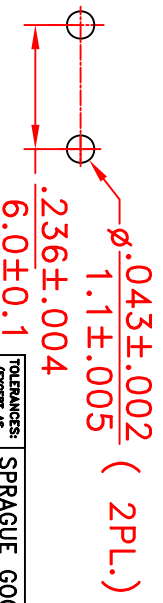
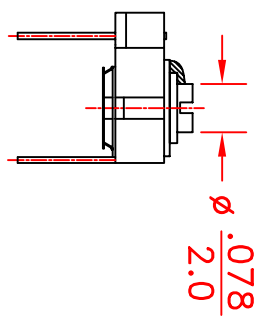
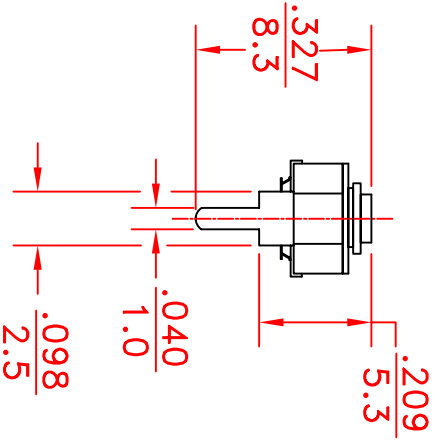
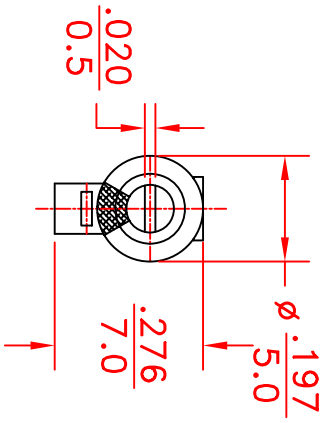


REV	DESCRIPTION	DATE	APP
00	NEW DRAWING	02/01/10	



- SPECIFICATIONS:**
1. Capacitance : Cmin 12.0 pf  
Cmax 60.0 pf
  2. Operating temperature range : - 25°C to + 85°C
  3. TCC : N2200 ± 500 ppm/°C
  4. 0 min at maximum rated capacitance : 200 at 1MHz
  5. Voltage rating 100 VDC
  6. Dielectric withstanding voltage: 220 VDC
  7. Insulation resistance: 10<sup>4</sup> Megohms min.
  8. Torque : 35 to 200 g-cm ( 0.49 to 2.8 oz-in)
  9. Thermal resistance: 5 sec. ● 260°C<sub>25</sub> %
  10. Vibration: 50 g ● 10-2000 Hz
  11. Capacitance drift: 5 % or 1.5 pf whichever is greater

MOUNTING HOLES LAYOUT

TOLERANCES: (except as noted)		SPRAGUE GOODMAN ELECTRONICS INC.	
DECIMAL: ±0.002 in ±0.051 mm	MATERIAL: 4:1	1700 SHAMES DRIVE WESTBURY, NY 11590	
FRACTIONAL: 1/64	SCALE: 4:1	DESIGNED BY: R. LEVIN	APPROVED:
ANGULAR: ±	TITLE: OUTLINE DWG P/N GKU60020	DRAWN BY:	USED FOR:
	DATE: 02/01/10	DRAWING NUMBER GKU60020	REV. 00