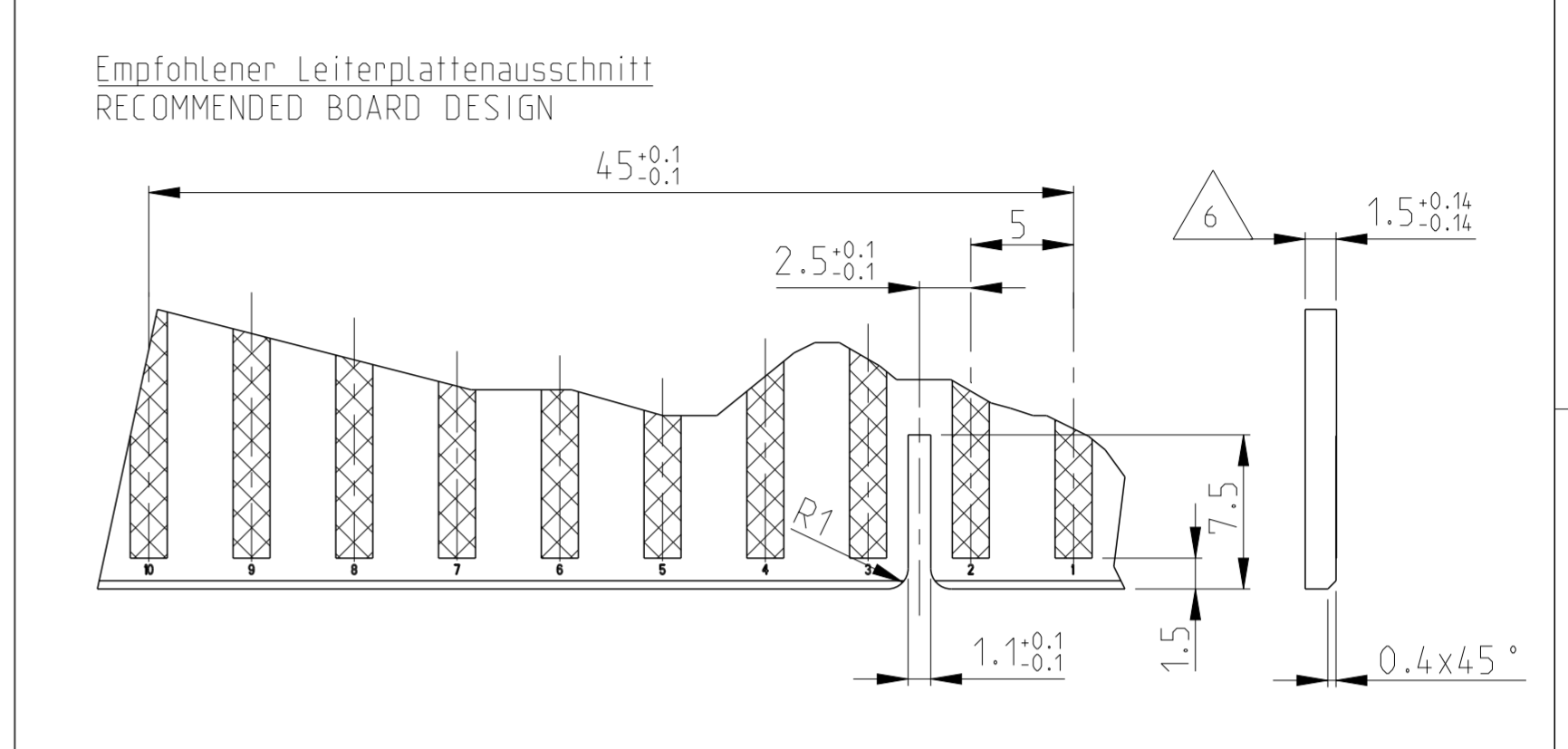
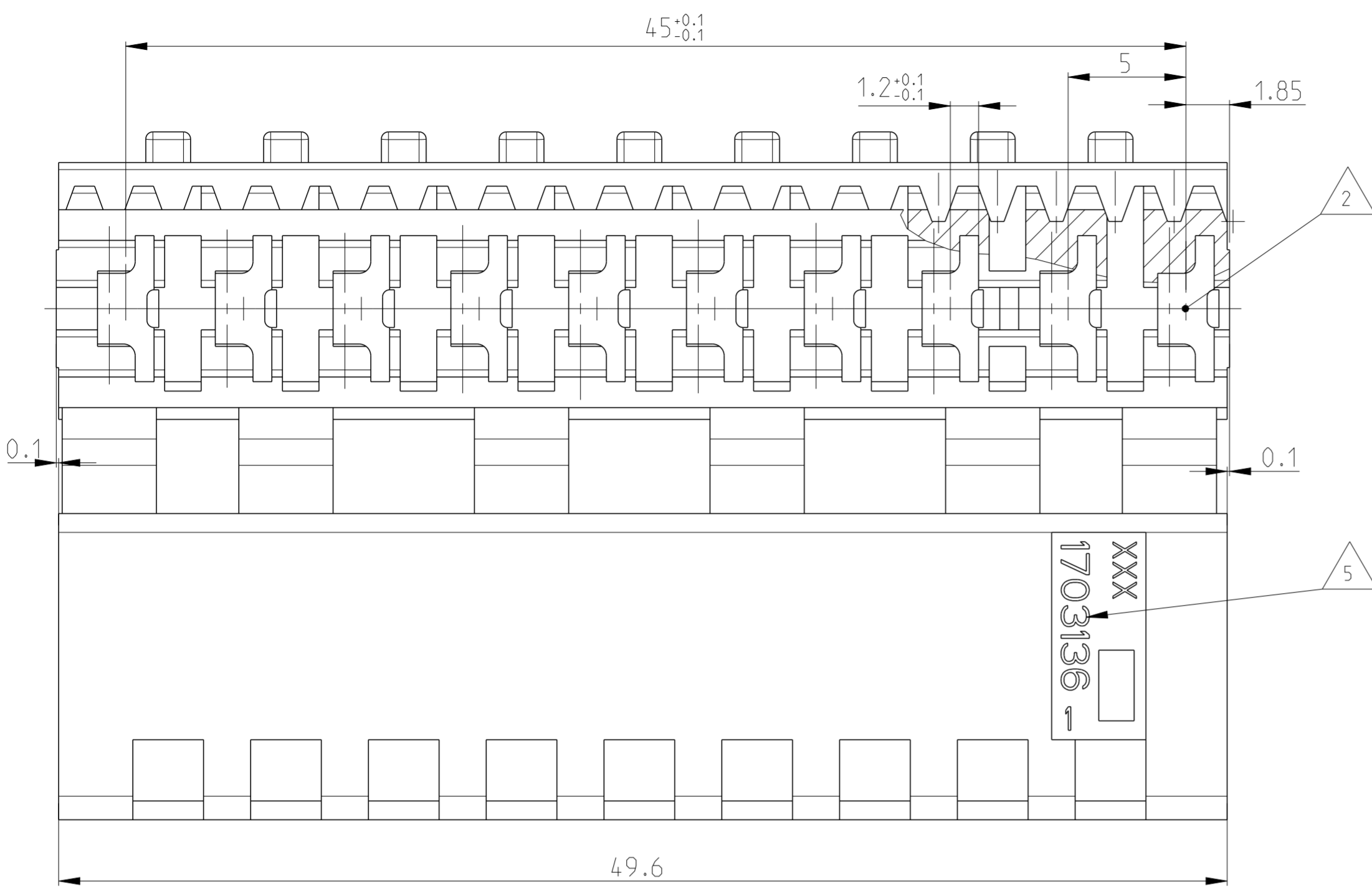
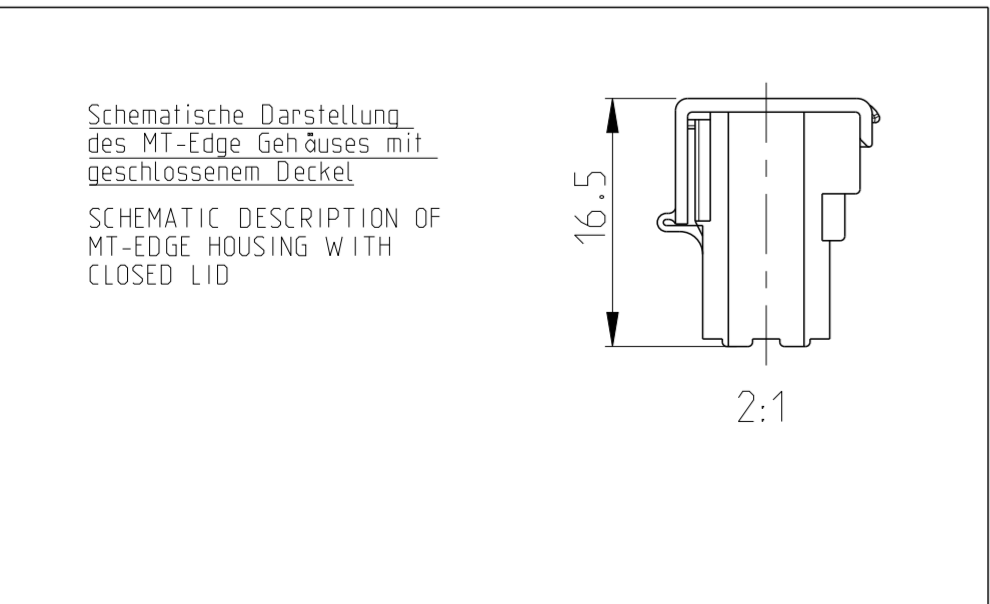
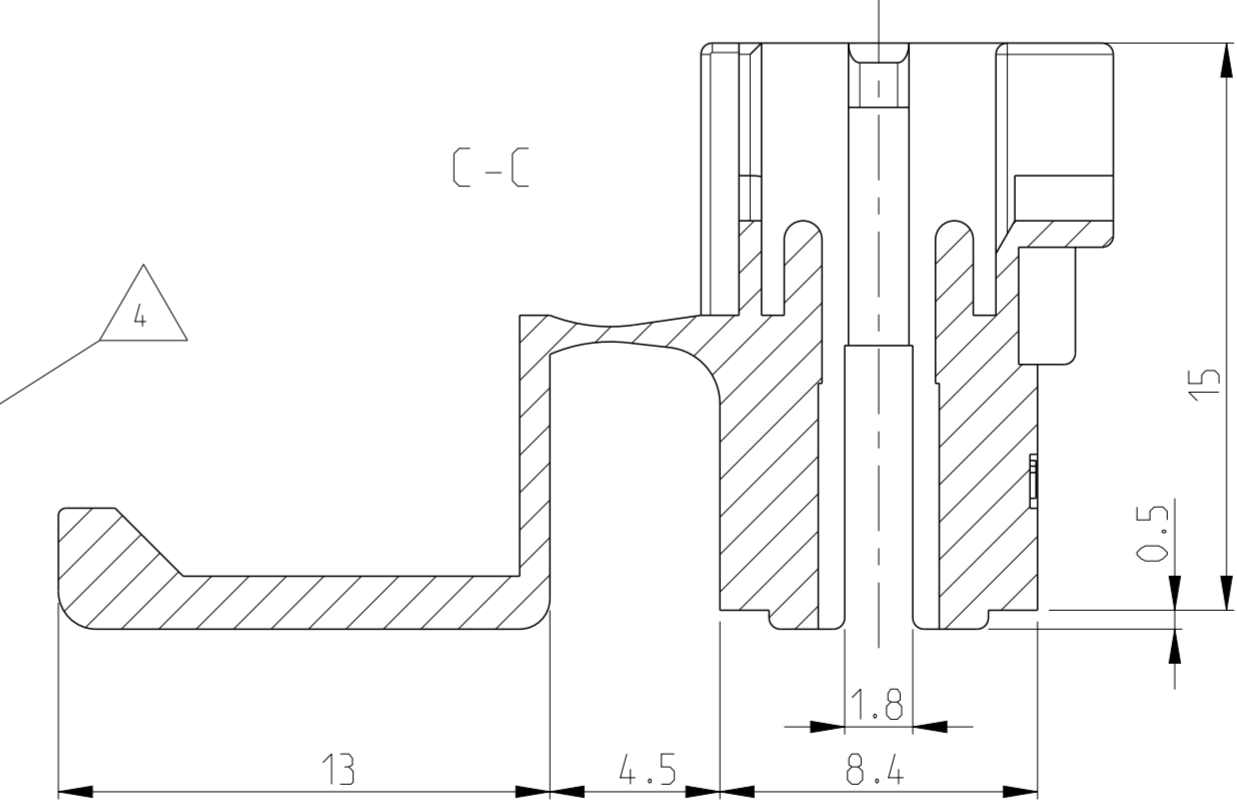
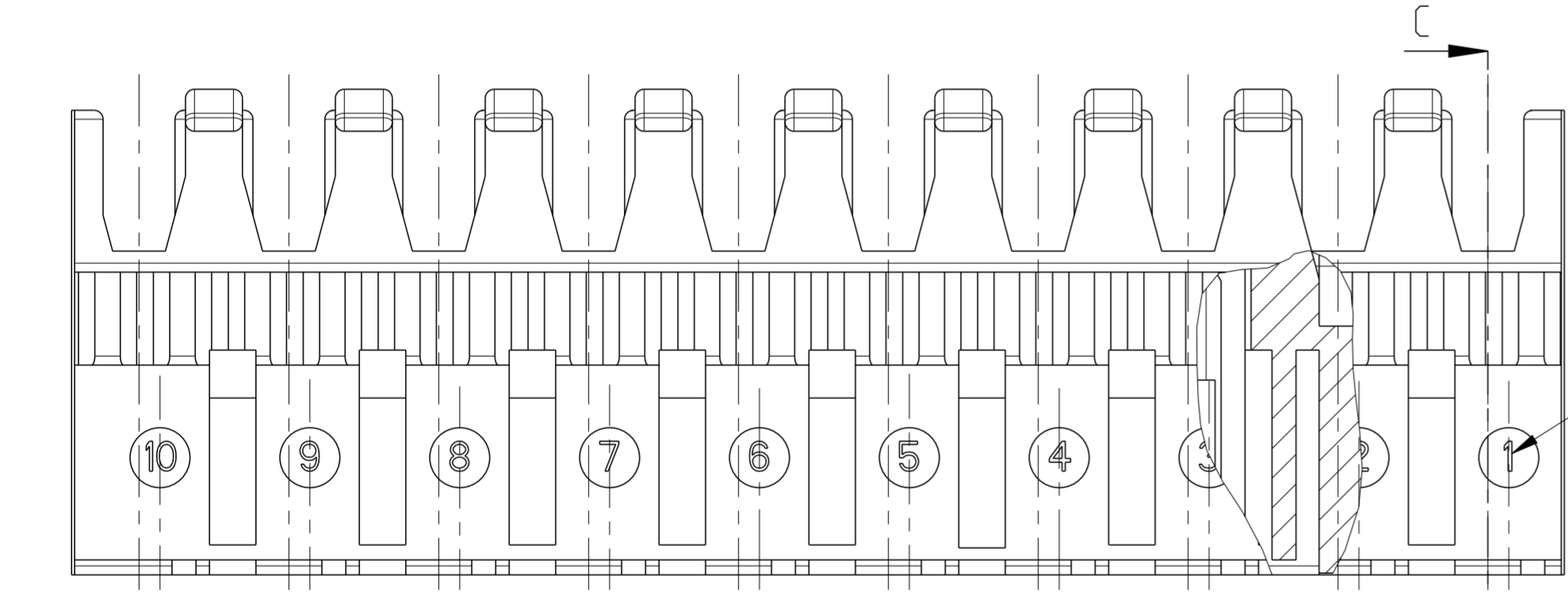


THIS DRAWING IS UNPUBLISHED. RELEASED FOR PUBLICATION 2003
 © COPYRIGHT 2003 ALL RIGHTS RESERVED.

LOC	DIST	REVISIONS			
P	LTR	DESCRIPTION	DATE	DWN	APVD
A	-	NEW DRAWING PUBLISHED	24SEP2004	MAH.	STRE.
B	-	ECR-13-010845	09JULY2013	MKD	RRP



- Bemerkungen
 NOTES
- 1 Massgebend ist der deutsche Text
 ONLY THE GERMAN-LANGUAGE VERSION SHALL BE BINDING
 - 2 Lage des Kontaktpunktes auf der Leiterplatte; Abweichung ±0.4
 POSITION OF CONTACT POINT ON BOARD; DEVIATION ±0.4
 - 3 Kontaktierung zur Drahtmitte um 0.7mm versetzt
 CONTACTING 0.7mm DISPLACED TO WIRE CENTRELINE
 - 4 Kontaktkammer-Nr.
 CONTACT CAVITY #
 - 5 Firmenlogo und Leergehäuse-Nr.
 ARTWORK LOGO AND HOUSING # (NON LOADED)
 - 6 Ausführung nach DIN 60249-2-4
 BOARD DESIGN ACCORDING TO DIN 60249-2-4
 - 7 Crimp Kontakt-Nr.
 Material: CuSn4
 CRIMP CONTACT # 926770-1; 926917-1
 MATERIAL: CuSn4



1703136-1	MT-EDGE HOUSING	NATURE
PART-NO.:	DESCRIPTION	COLOUR

THIS DRAWING IS A CONTROLLED DOCUMENT.		DWN MAHNKE, B. 24SEP2004	TE Connectivity NAME 10 POS. MT-EDGE HOUSING RAST 5mm		
DIMENSIONS: mm		CHK STREDAK, F. 20DEC2004			
TOLERANCES UNLESS OTHERWISE SPECIFIED:		APVD BLEICHER, M. 21DEC2004			
0 PLC ± 1 PLC ±0.15mm 2 PLC ± 3 PLC ± 4 PLC ± ANGLES ±° FINISH		PRODUCT SPEC 108-18003			
MATERIAL PA6.6 / UL94V-2		APPLICATION SPEC 114-18002	SIZE A2	CAGE CODE C-1703136	RESTRICTED TO -
		WEIGHT 4.855 g	SCALE 5:1	SHEET 1 of 1	REV B
		CUSTOMER DRAWING			