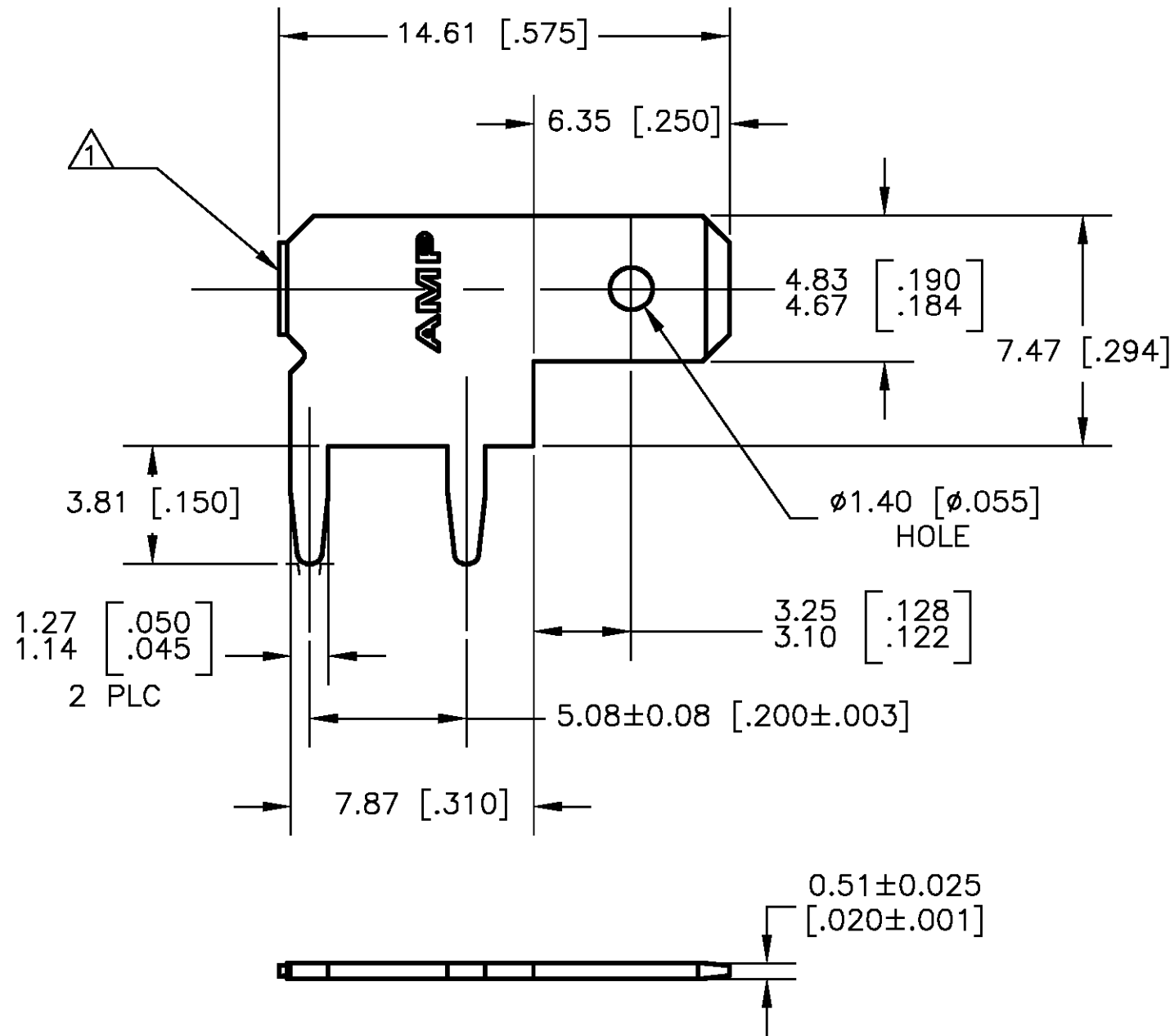
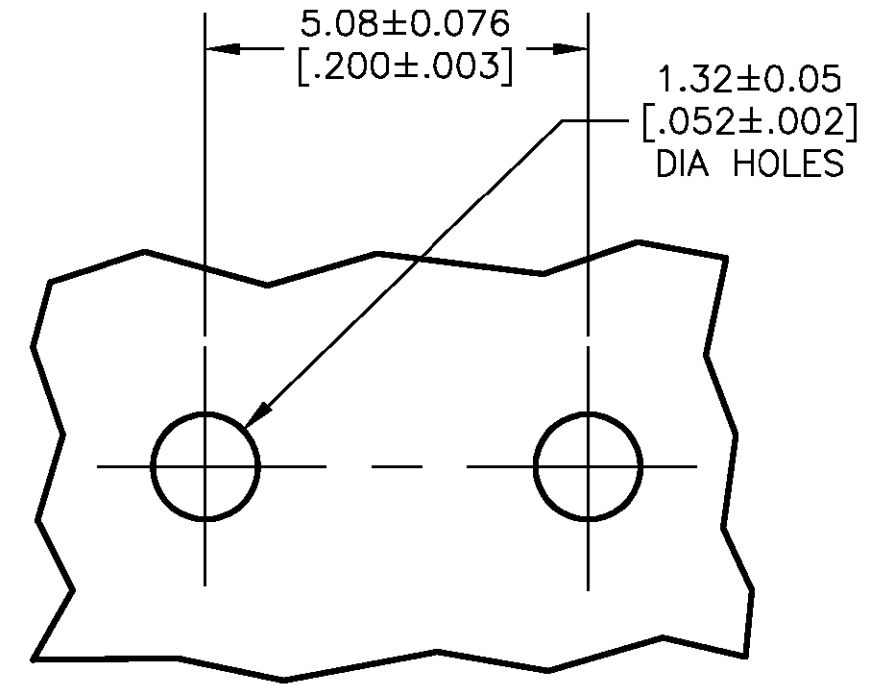


THIS DRAWING IS UNPUBLISHED. RELEASED FOR PUBLICATION
 © COPYRIGHT BY TYCO ELECTRONICS CORPORATION. ALL RIGHTS RESERVED.

LOC	DIST	REVISIONS			
P	LTR	DESCRIPTION	DATE	DWN	APVD
AF	50	C	REDRAWN PER 0G3A-0234-01	03APR01	JR ND



- ① SUPPLIED IN LOOSE PIECE. AFTER PLATING, BARE EDGES PERMITTED.
- ② 0.00381 [0.00150] MIN TIN OVER 0.00127 [0.00050] MIN NICKEL.



P.C. BOARD HOLES

1217156-1
PART NO.

THIS DRAWING IS A CONTROLLED DOCUMENT.		DWN JR RUTH 03APR01	AMP Tyco Electronics Corporation Harrisburg, PA 17105													
DIMENSIONS: mm [INCHES]		CHK MS FEHER 03APR01	NAME TAB, FASTON, 4.75 [.187] SERIES													
TOLERANCES UNLESS OTHERWISE SPECIFIED:		APVD N DEIBERT 03APR01	PRODUCT SPEC -													
<table border="0"> <tr><td>0 PLC</td><td>± -</td></tr> <tr><td>1 PLC</td><td>± -</td></tr> <tr><td>2 PLC</td><td>± 0.25 [.010]</td></tr> <tr><td>3 PLC</td><td>± -</td></tr> <tr><td>4 PLC</td><td>± -</td></tr> <tr><td>ANGLES</td><td>± -</td></tr> </table>		0 PLC	± -	1 PLC	± -	2 PLC	± 0.25 [.010]	3 PLC	± -	4 PLC	± -	ANGLES	± -	APPLICATION SPEC 114-2115	SIZE A3	CAGE CODE 00779
0 PLC	± -															
1 PLC	± -															
2 PLC	± 0.25 [.010]															
3 PLC	± -															
4 PLC	± -															
ANGLES	± -															
MATERIAL 082 BRASS	FINISH - ②	WEIGHT -	DRAWING NO C-1217156	RESTRICTED TO -												
CUSTOMER DRAWING			SCALE 5:1	SHEET 1 OF 1 REV C												