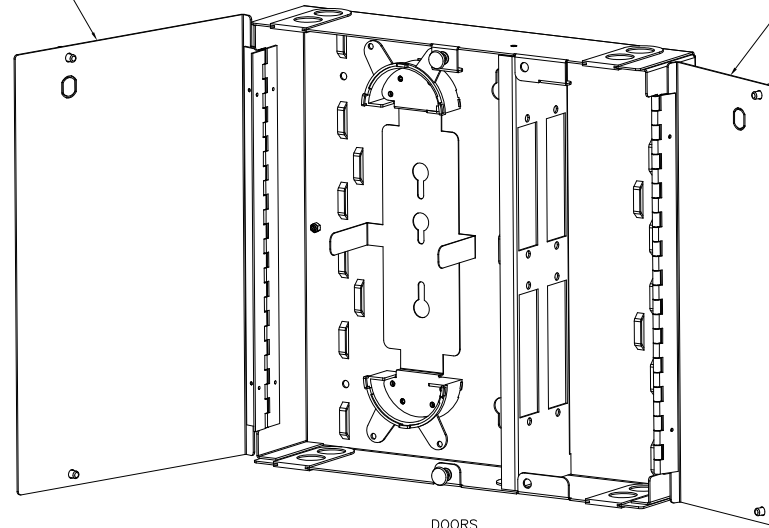


DOORS CLOSED

LARGE DOOR

SMALL DOOR



DOORS OPEN

INVENTORS

HellermanTyton

ALL PROPRIETARY RIGHTS IN THE SUBJECT MATTER SHOWN ON THIS DRAWING ARE EXCLUSIVE PROPERTY OF HELLERMANNTYTON

name	date	city, state

NOTES

REVISIONS
 level
 date 03/07/14
 by AAC
 ECN # 012592
 part level A

DIMENSIONS
 .XXXX = ±.0005
 .XXX = ±.005
 .XX = ±.01
 .X = ±.03
 ∠ = ±0.5°
 unless otherwise specified
 units inches

number FEWM24 phase PRODUCTION
 name 24 PORT FIBER WALL MOUNT ENCLOSURE
 material STEEL - BLACK FINISH

revision	date	description	drawn	checked	scale
1	03/07/14				1X

customer type CUSTOMER sheet 1 of 1
 number FI3001029CST