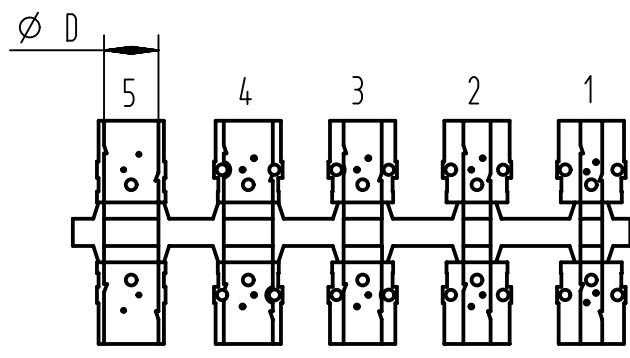
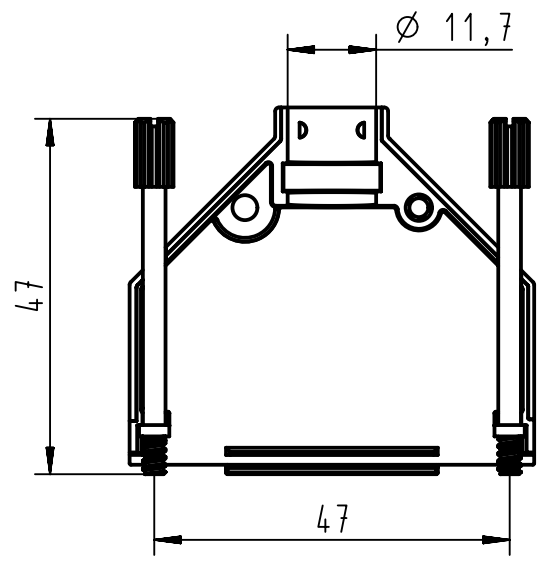
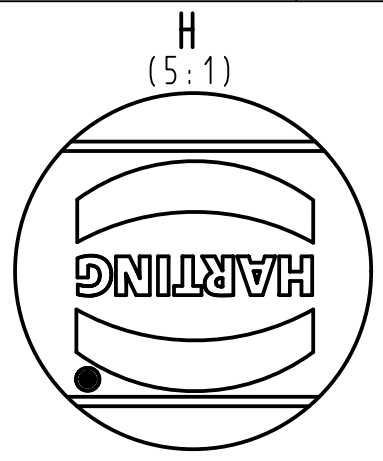
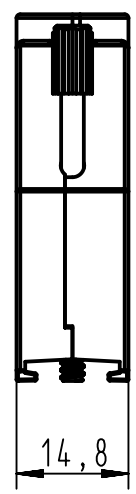
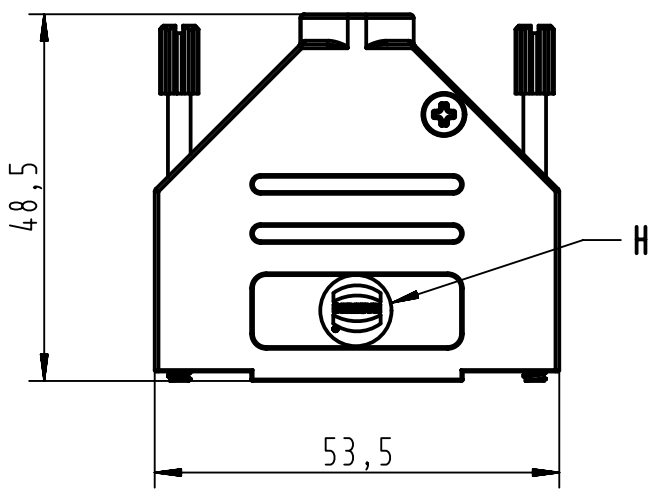



1 2 3 4 5 6

A
B
C
D



Grommet dimensions	
Number	Diameter D
1	4.0
2	5.0
3	7.0
4	9.0
5	10.2

09670250343	4-40UNC
Part number	Screw thread

	All Dimensions in mm Original Size DIN A4		Scale 1:1	Free size tol.		Ref.
	All rights reserved		Created by DOUGE	Inspected by BAGDIKIAN	Standardisation HOFFMANN	Sub.
Department EC PD - FR		Title D-Sub Hood 25P top entry full metal		Date 2012-10-19	State Final Release	
HARTING Electronics GmbH D-32339 Espelkamp		Type TB	Number 09670250343		Doc-Key / ECM-Nr. 100517878/UGD/001/A 500000055736	
				Rev. A	Page 1/1	