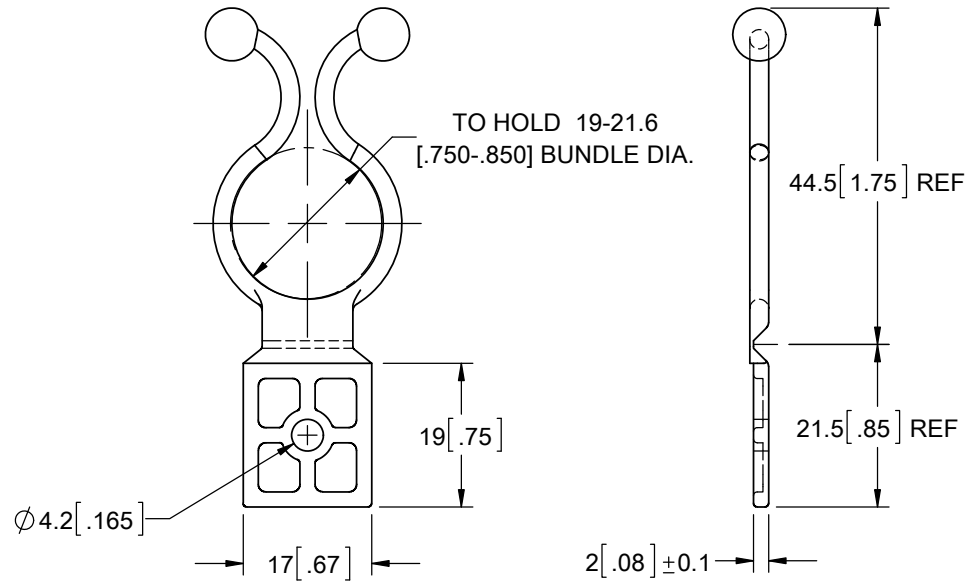


MATERIAL: NYLON 6/6 UL94 V-2 (RMS-01) COLOR: NATURAL. PART NO.	MATERIAL: NYLON 6/6 UL94 V-0 (RMS-19) COLOR: NATURAL. PART NO.
TLH-800-01	TLH-800-19



NOTES:

1. ALTERNATE UNITS FOR REFERENCE ONLY.
2. RECOMMENDED SCREW SIZE: #6 OR M3

TITLE: TWIST LOCK, HINGED-800				UNITS: mm [IN]	FINAL
CREATED USING SOLIDWORKS	FILE #: TLH-800	DWN: SK	APP: SK	PART #	
GENERAL TOLERANCE UNLESS NOTED	SHEET: 1 OF 1	SHEET SIZE: A	DT: 02/17/2012	CHKD: DZ	PRINT TYPE
±0.25 ANG. ±1°	RE: RICHCO, INC.	RICHCO, INC. WWW.RICHCO-INC.COM		SEE TABLE	CA
D	REDRAWN FROM ACAD TO SOLIDWORKS, CO 200759	SK	02/17/2012		
-	SEE ENGINEERING FOR REVISIONS A TO C	-	-----		
REV.	DESCRIPTION	ENGR.	DATE		