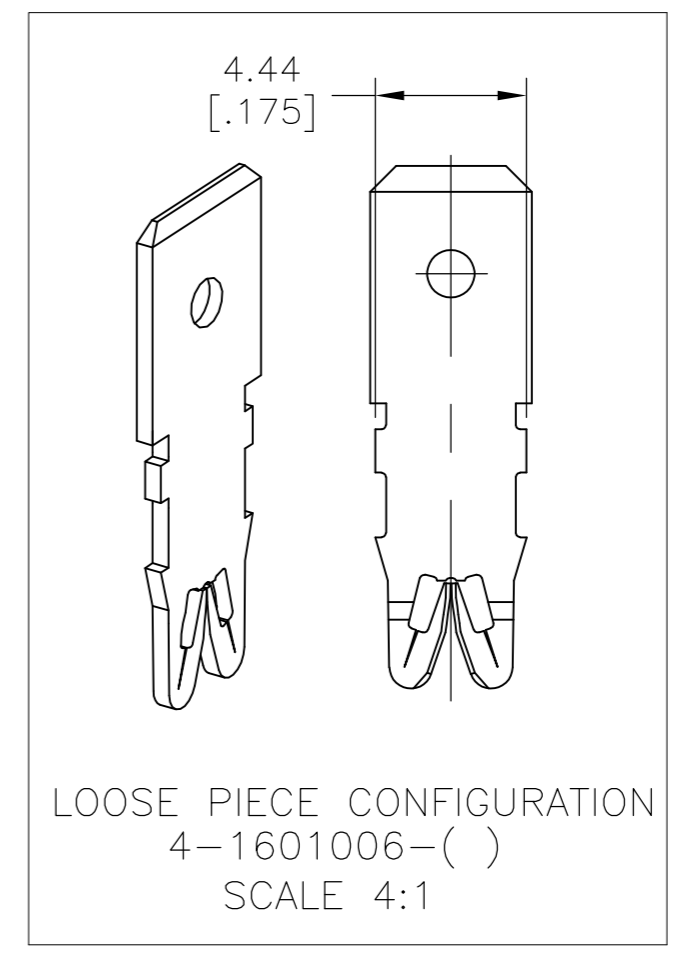
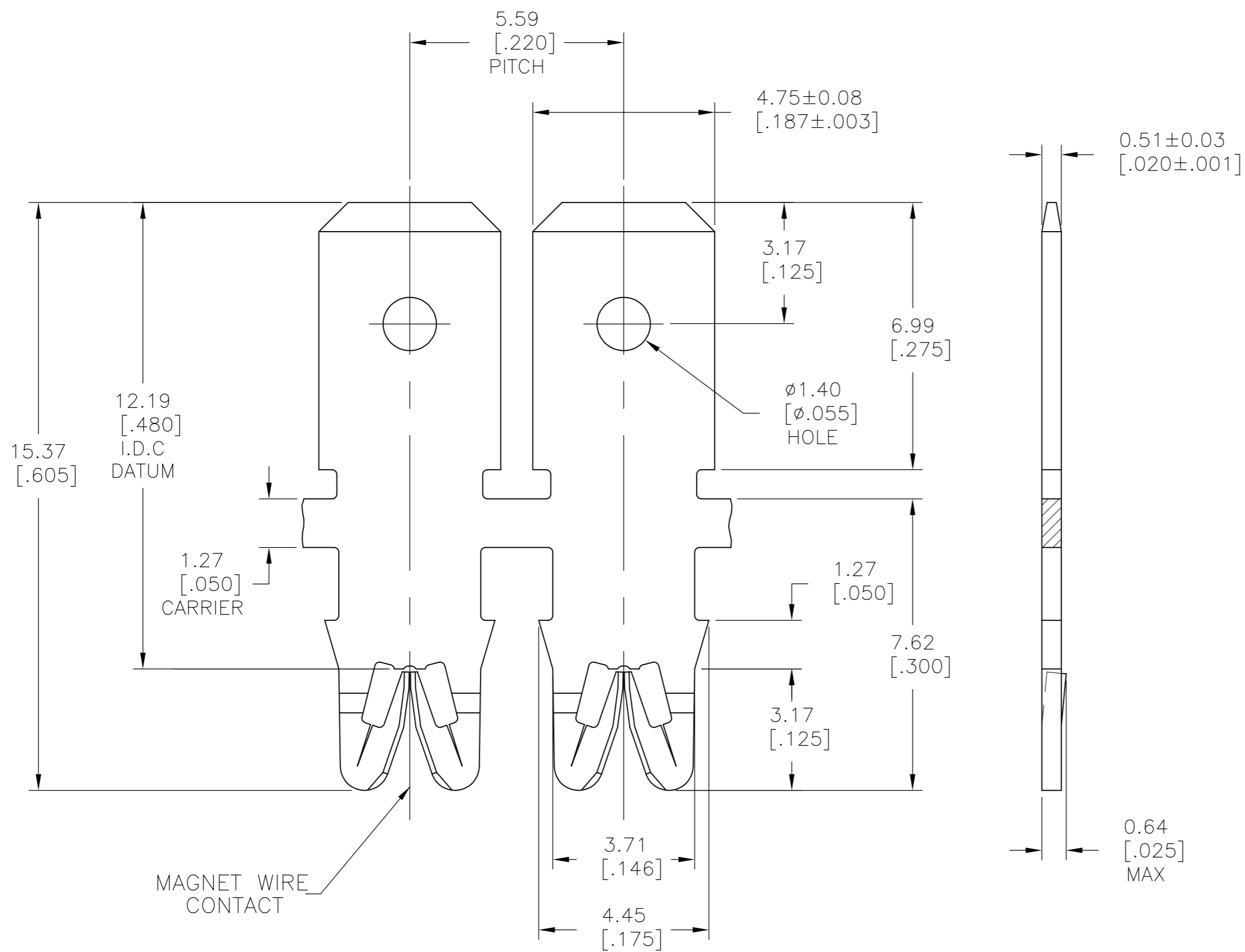
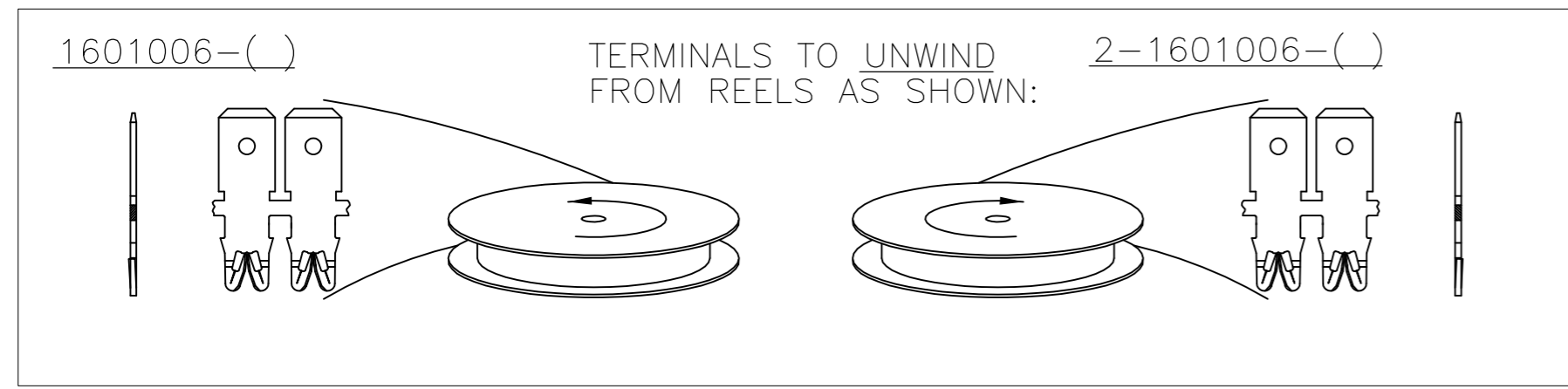


THIS DRAWING IS UNPUBLISHED. RELEASED FOR PUBLICATION  
 © COPYRIGHT BY TYCO ELECTRONICS CORPORATION. ALL INTERNATIONAL RIGHTS RESERVED.

LOC		DIST		REVISIONS			
P	LTR	DESCRIPTION		DATE	DWN	APVD	
AF	50	B2	REVISED PER ECR-10-013120	24JUN10	HMR	GJ	



- SPECIFICATIONS:  
MAGNET WIRE #18- #34 AWG. 1.02[.040]-0.16[.006] DIA COPPER, OTHER SIZES MAY BE ACCOMMODATED, CONSULT TYCO ELECTRONICS FOR APPROVAL.
- POCKET RECOMMENDATION: # 1601423
- TERMINAL APPLICATION TO COMPLY WITH TYCO ELECTRONICS SPECIFICATION #114-13166, FIG. 6.
- TWO(2) TERMINALS SHOWN FOR ILLUSTRATION PURPOSES ONLY.



-	-	-
-	-	-
-	-	-
-	-	-
Pre Tin Plate	031-015-002	4-1601006-2
Pre Tin Plate	131-015-002	1601006-2
FINISH	REFERENCE PART NUMBER	TE PART NUMBER
THIS DRAWING IS A CONTROLLED DOCUMENT.	DWN J.WELLER 11JAN2002 CHK M.FEHER 11JAN2002 APVD K.RANDOLPH 11JAN2002	Tyco Electronics Corporation Harrisburg, PA 17105-3608
DIMENSIONS: mm [INCHES]	TOLERANCES UNLESS OTHERWISE SPECIFIED: 0 PLC ± - 1 PLC ± - 2 PLC ± 0.13[.005] 3 PLC ± - 4 PLC ± - ANGLES ± 2°	NAME STANDARD RANGE WIRE TO 4.75 X 0.51 TAB SIAMEZE TERMINAL
MATERIAL BRASS, SPRING HARD	FINISH SEE TABLE	SIZE A2 CAGE CODE 00779 DRAWING NO C=1601006 RESTRICTED TO -
CUSTOMER DRAWING		SCALE 9:1 SHEET 1 OF 1 REV B2

1601006