

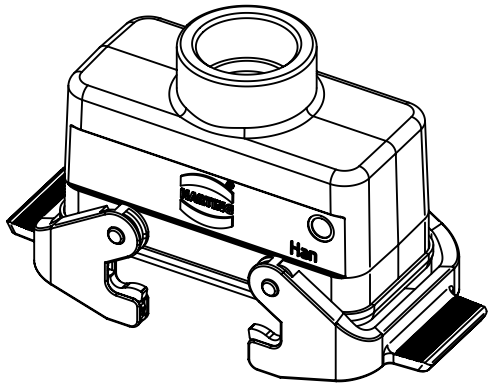
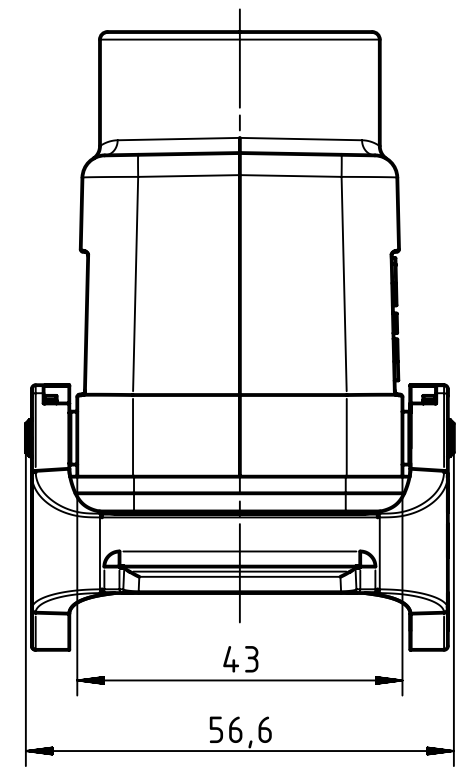
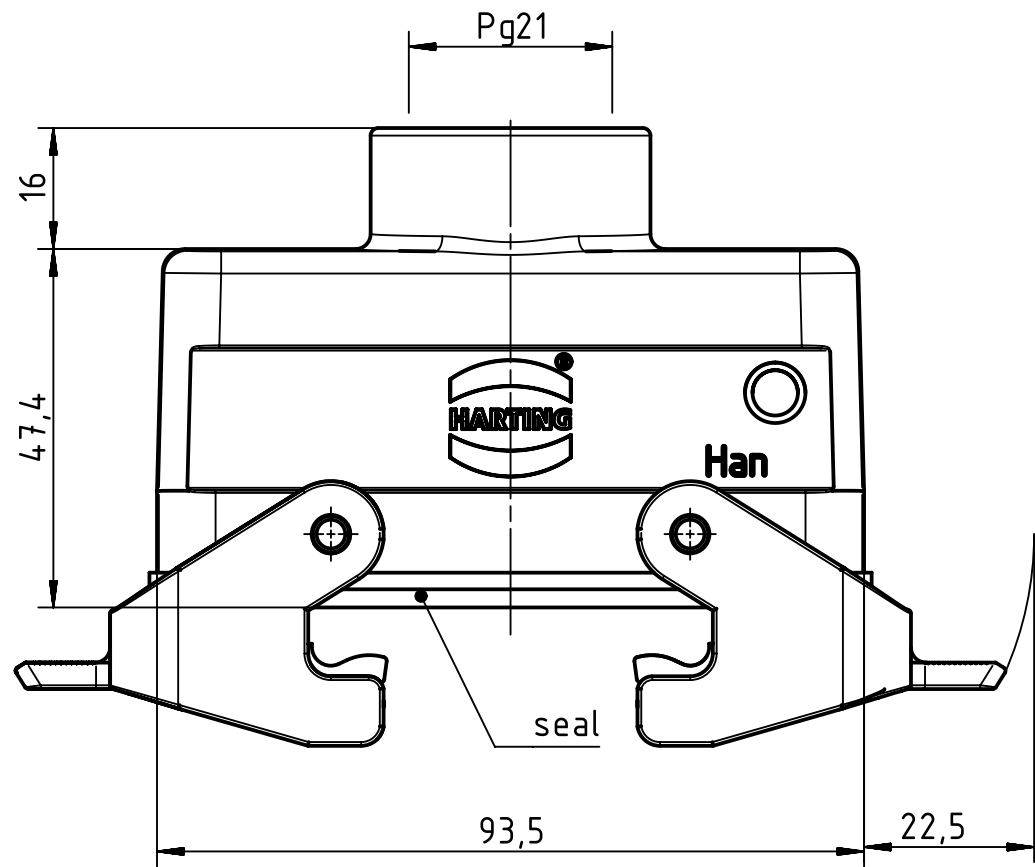
1 2 3 4 5 6

A

B

C

D



	All Dimensions in mm Original Size DIN A4		Scale 1:1	Free size tol.		Ref.	
						Sub.	
	All rights reserved		Created by RULLKOETTER	Inspected by BERGHORN	Standardisation SCHMIDTM	Date 2013-05-24	State Final Release
	Department EL PD - DE		Title Han B Hood Coupler LC 2 Levers PG 21			Doc-Key / ECM-Nr. 100192650/UGD/004/A 500000062370	
HARTING Electric GmbH & Co. KG D-32339 Espelkamp			Type TB	Number 09 30 016 1730		Rev. A	Page 1/1