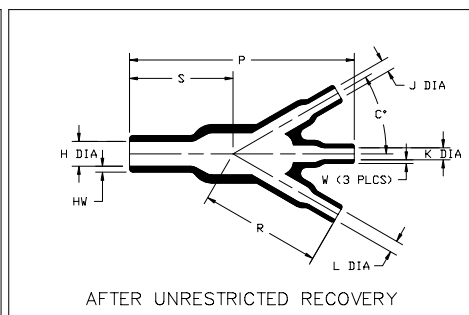
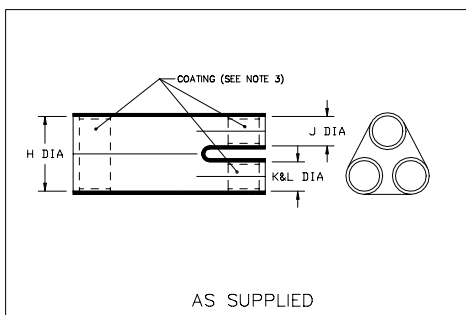


# Molded Parts Specification Control Drawing

Part Number : 462A023-X-11  
Description : Transition, 1 to 3 Cables

## NOTES

- All dimensions are in  $\frac{\text{inches}}{\text{[millimeters]}}$
- Dimensions appearing in table are as follows:
  - a - As Supplied
  - b - After Unrestricted Recovery
- Coating is optional. As supplied dimensions appearing in table are for uncoated parts. When coating is added, entry diameters will be reduced by .06 max.



PART NUMBER	H		J,K&L		P	R	S	HW	W	C
	Min	Max	Min	Max	±10%	±10%	±10%	±20%	±20%	±5°
	a	b	a	b	b	b	b	b	b	b
462A023-X-11	1.06 [26,9]	.52 [13,2]	.75 [19,0]	.27 [6,9]	3.67 [93,2]	1.98 [50,3]	1.69 [42,9]	.10 [2,54]	.06 [1,52]	30°

If this document is printed it becomes uncontrolled.  
Check for the latest revision.

**tyco**/Electronics/**Raychem**

TYCO ELECTRONICS  
307 CONSTITUTION DRIVE  
MENLO PARK, CALIFORNIA 94025

Revision : A  
Date : 2/21/20

Part Number : 462A023-X-11  
Description : Transition, 1 to 3 Cables

# Molded Parts Specification Control Drawing

Part Number : 462A023-X-11  
Description : Transition, 1 to 3 Cables

COMPATABILITY CHART					
MATERIAL DASH NO.	MATERIAL DESCRIPTION	RT SPEC	COATING SLASH NO.	COATING S NO.	COATING DESCRIPTION
-3	Polyolefin, Semi-rigid	RT-301	/42,/86	S-1017,S-1048	Adhesive
-4	Polyolefin, Flexible	RT-1304	/42,/86	S-1017,S-1048	Adhesive
-25	Elastomer, Fluid Resistant	RT-1325	/42,/86	S-1017,S-1048	Adhesive

## ORDERING INFORMATION

462A023 -X -11 /42

Base part number \_\_\_\_\_  
Material dash number \_\_\_\_\_  
(See Compatibility Chart)  
Modification number \_\_\_\_\_  
(If necessary, see front of scd binder for a complete list)  
Adhesive slash number \_\_\_\_\_  
(If necessary, see Compatibility Chart)

THIS DRAWING IS SUBJECT TO CHANGE WITHOUT NOTICE; CONSULT YOUR  
NEAREST FIELD REPRESENTATIVE FOR CURRENT REVISION

**tyco**/Electronics/**Raychem**

TYCO ELECTRONICS  
307 CONSTITUTION DRIVE  
MENLO PARK, CALIFORNIA 94025

Revision : A  
Date : 2/21/02

Part Number : 462A023-X-11  
Description : Transition, 1 to 3 Cables