

## Peak Emission Wavelength: 560nm, 585nm, 635nm, 660nm

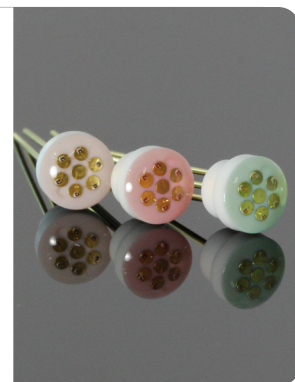
The MT121L-xxx is a high reliability multi-chip emitter designed for applications requiring various wavelengths or more than one die in a single package. These devices can be custom sorted for specific power output.

### FEATURES

- > High Luminance / High Reliability
- > Wide Radiation Pattern / White Ceramic Base
- > Low Power Consumption
- > Alternate Electrical Configurations

### APPLICATIONS

- > Currency Validation
- > Medical / Biofluorescence
- > General Indication
- > Push Button Backlight



## Absolute Maximum Ratings (Ta=25°C)

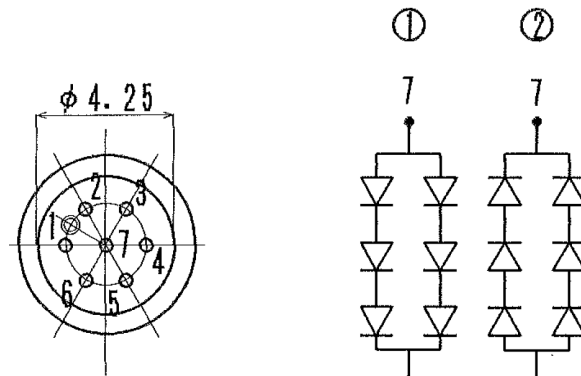
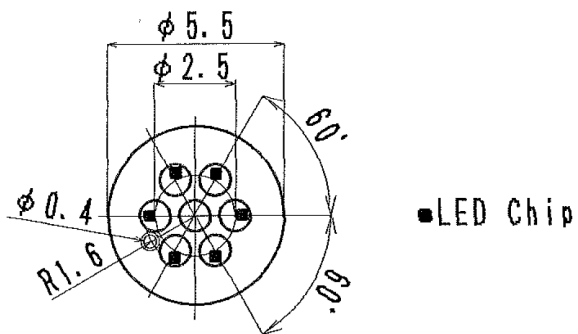


| ITEMS                        | SYMBOL | RATINGS    | UNIT |
|------------------------------|--------|------------|------|
| Forward Current              | IF     | 30         | mA   |
| Reverse Voltage              | VR     | 12         | V    |
| Power Dissipation            | PD     | 240        | mW   |
| Operating Temperature Range  | Topr   | -20 ~ +60  | °C   |
| Storage Temperature Range    | Tstg   | -30 ~ +100 | °C   |
| Lead Soldering Temperature*1 | Tls    | 260        | °C   |

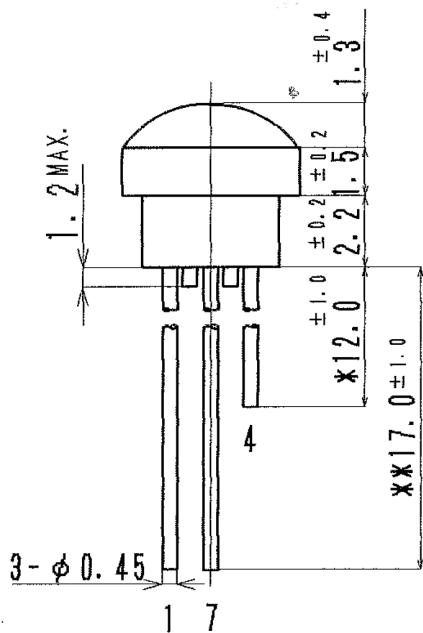
\*1: Time 5 Sec max, Position: Up to 3mm from the body.

## Electrical & Optical Characteristics (Ta = 25°C)

| PART NO.   | IV (typ)<br>@IF=20MA | VF(typ)<br>@IF=20MA | VF(max)<br>@IF=20MA | IR(max)<br>@VR=12V | λp(typ)<br>@IF=20MA | Δλ(typ)<br>@IF=20MA | Circuit No |
|------------|----------------------|---------------------|---------------------|--------------------|---------------------|---------------------|------------|
| MT121L-UG  | 50mcd                | 6.0V                | 7.2V                | 200μA              | 565nm               | 30nm                | (1)        |
| MT121L-YL  | 20mcd                | 5.8V                | 6.9V                | 200μA              | 585nm               | 30nm                | (1)        |
| MT121L-HR  | 25mcd                | 5.5V                | 6.6V                | 200μA              | 635nm               | 35nm                | (1)        |
| MT121L-URD | 100mcd               | 5.3V                | 6.3V                | 200μA              | 660nm               | 20nm                | (2)        |



No. 2, 3, 5, 6 PIN CUT  
 \*\* No. 1, 7  
 \* No. 4



Unit: mm, Tolerance:  $\pm 0.2$

The information contained herein is subject to change without notice.

2013-06-05