

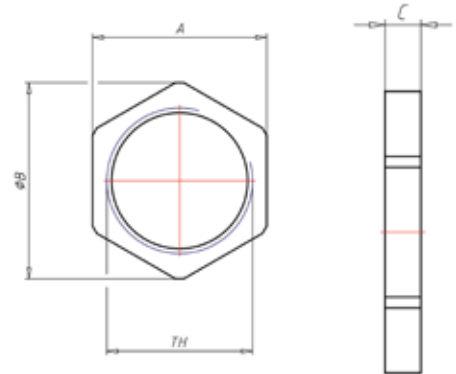
## Nickel Plated Metric Locknuts

Locknuts work with metric threaded fittings or knockout entries.



Metric Thread Size	HellermannTyton Part Number	Manufacturer Reference Number	Dimensions		
			A	B	Thickness
mm			mm	mm	mm
M16 X 1.5	ALNPB-M16	B-M16	20	23	3.5
M20 X 1.5	ALNPB-M20	B-M20	24	28	3.5
M25 X 11.5	ALNPB-M25	B-M25	29	33	3.5
M32 X 1.5	ALNPB-M32	B-M32	38	43	4.5
M40 X 1.5	ALNPB-M40	B-M40	48	54	5.0
M50 X 1.5	ALNPB-M50	B-M50	58	66	6.0

Technical Properties and Performance	
Property	Rating
Material	Nickel Plated Brass
Application	Used to secure metallic metric fitting when used with non-threaded entry
IP (Ingress Protection) rating	NA
Temperature Range	-50°C to +135°C
Color	Silver
Thread Pattern	Metric
Supplied with neoprene face seal washer	No
Suitable for fine or coarse pitch conduits	NA
UL Recognized (File E229161)	No
UL Listed (File No. E247502)	No
UV Resistant	No
Halogen, Sulphur and Phosphorous free	Yes
Anti vibration and Tamper Resistant (EN 61373 Cat 2)	NA
Flammability: UL 94	NA
Country of Origin	United Kingdom



**Warranty Policy** HellermannTyton products are warranted to be free from defects in material and workmanship at the time sold by us; but our obligation under this warranty and that of the seller is limited to the replacement of the product, and neither we nor the seller are bound by any other warranty, expressed, implied or statutory. Under no circumstances are we or the seller liable for any loss, damage, expenses or consequential damages of any kind arising out of the use or inability to use these products. All are sold with the understanding that the user will test them in actual use and determine their adaptability for the intended uses. Every effort is made to ensure accuracy and completeness when describing the technical properties of these products.