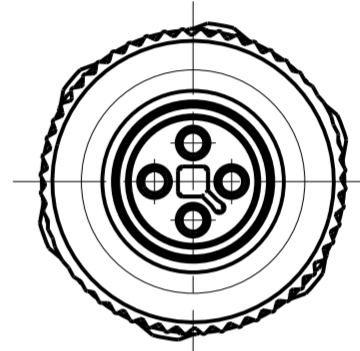
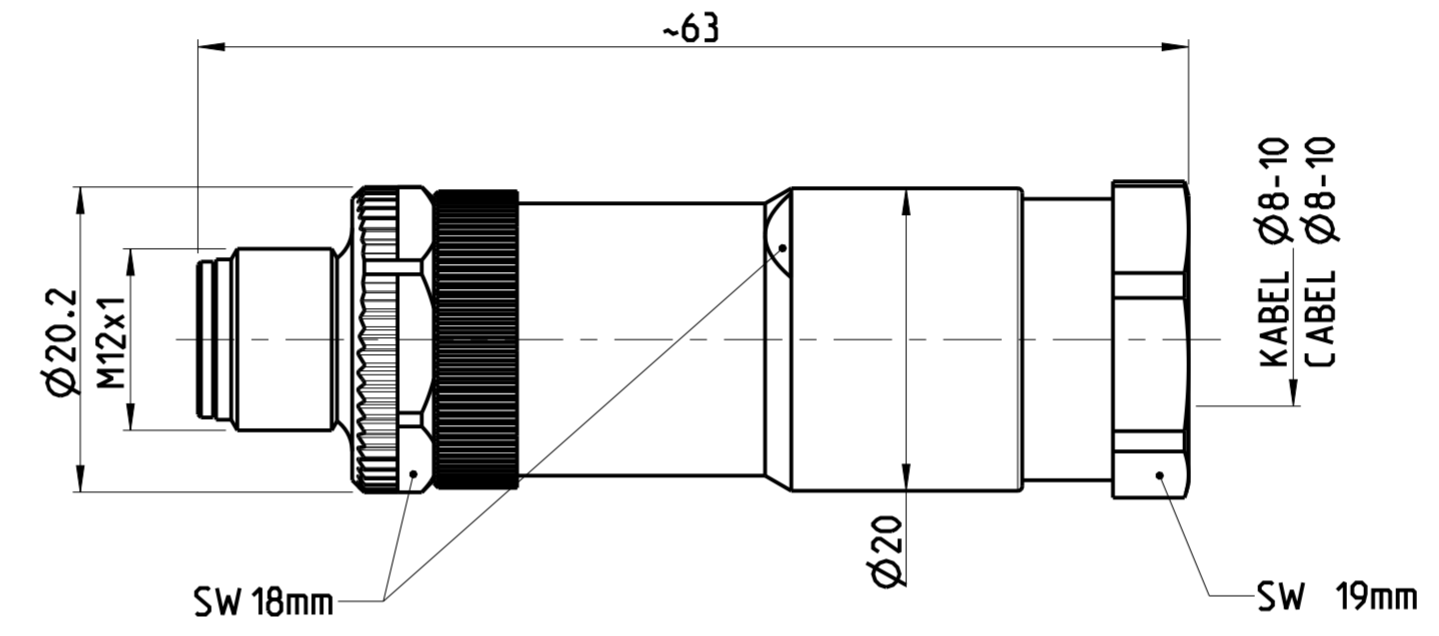
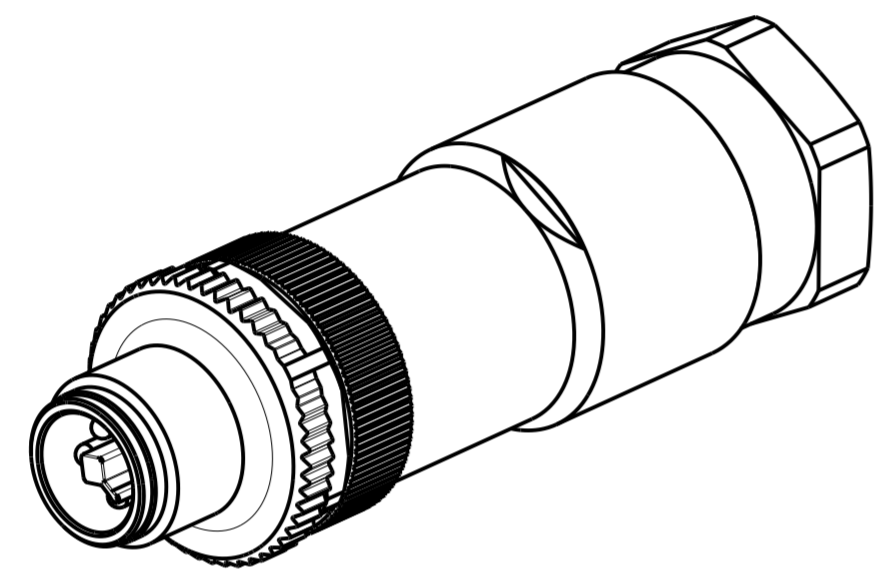


REVISIONS		DATE	DWN	APVD
ÄNDERUNGEN				
P	LTR	DESCRIPTION		
		BESCHREIBUNG		
A1		NEW DRAWING	24 JUN2014	YR CS

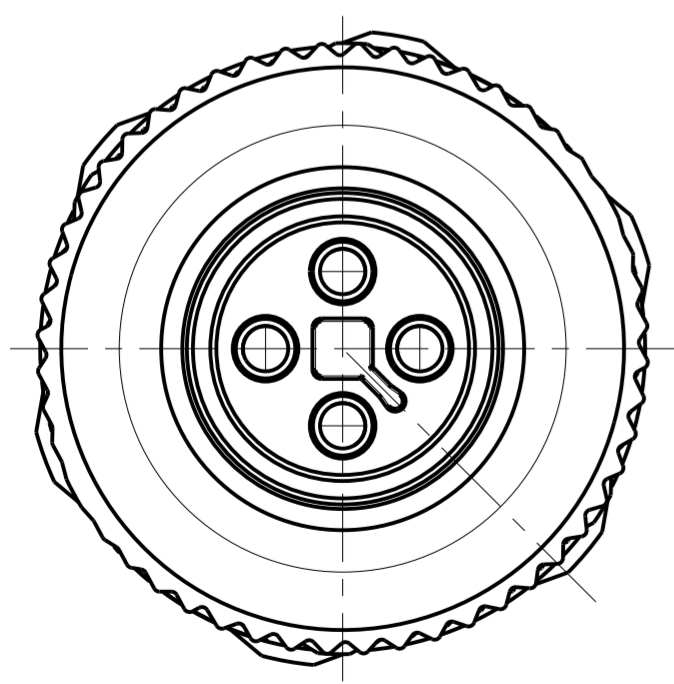
- 1 MATERIAL: ITEM NO. 1: HOUSING - PA
 ITEM NO. 2: CONTACT BODY - PA
 ITEM NO. 3: CONTACT - CuZn (brass)
 CONTACT FINISH - Au (gold)

- 2 ALL DIMENSIONS ARE FOR NOMINAL REFERENCE ONLY UNLESS OTHERWISE STATED
 3 MEASUREMENT REFERENCE ONLY
 4 PACKAGING: 1 PIECE IN A BAG



PIN ARRANGEMENT
T-CODING (SCALE 4:1)

0-2120949-1



TECHNICAL DATA		0-2120949-1
RATED VOLTAGE	60V	
RATED IMPULSE VOLTAGE	1500V	
POLLUTION DEGREE	3	
OVERVOLTAGE CATEGORY	III	
MATERIAL GROUP	III	
RATED CURRENT	12A	
VOLUME RESISTIVITY	≤ 3mΩ	
DEGREE OF PROTECTION	IP67	
UPPER TEMPERATURE	+85 °C	
LOWER TEMPERATURE	-40 °C	

8-10	16 / 1.50	⚠	4	0-2120949-1
CABLE FEED-THROUGH mm	WIRES AWG / mm ²	MATERIAL	NUMBER OF POLES	TE-PART-NO.

DIESE ZEICHNUNG IST EIN KONTROLLIERTES DOKUMENT. BEMASSUNGEN UND TOLERANZEN GEMAESS GPS (ISO STANDARDS).
 THIS DRAWING IS A CONTROLLED DOCUMENT. DIMENSIONING AND TOLERANCING PER GPS (ISO STANDARDS).

DIMENSIONS: MASSE/MASSSTAB: (MM)	TOLERANCES UNLESS OTHERWISE SPECIFIED: ALLGEMEINTOLERANZEN	DWN YASHKUMAR 24 JUN2014	TE Connectivity
		CHK M.STRELOW 24 JUN2014	
		APVD C.SCHREITLINGER 24 JUN2014	
		NAME	
MATERIAL		PRODUCT SPEC	M12 MALE CONNECTOR, STRAIGHT, FIELD INSTALLABLE, POWER, T-CODED
		APPLICATION SPEC	
		VERARBEITUNGSSPEZ.	
		WEIGHT	
		Customer Drawing	

SIZE A2	CAGE CODE 00779	DRAWING NO. ZEICHNUNGS-NR. C-2120949	RESTRICTED TO MUR FUER -
SCALE MASSSTAB 2:1	SHEET BLATT 1	OF VON 1	REV A1

SIZE ISO 14405 (E)