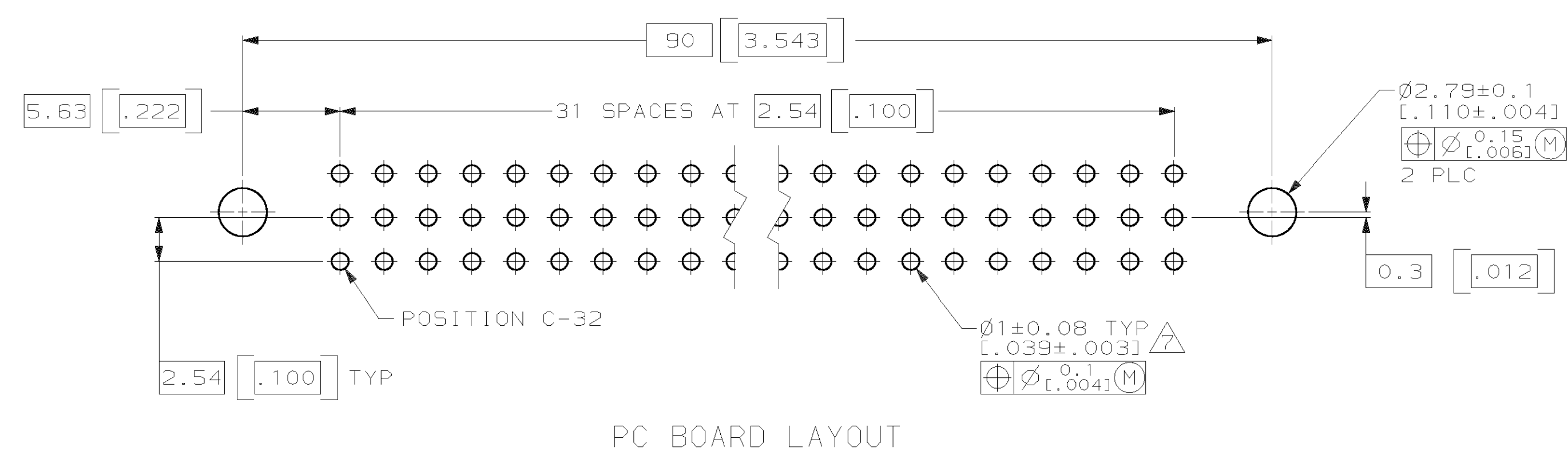
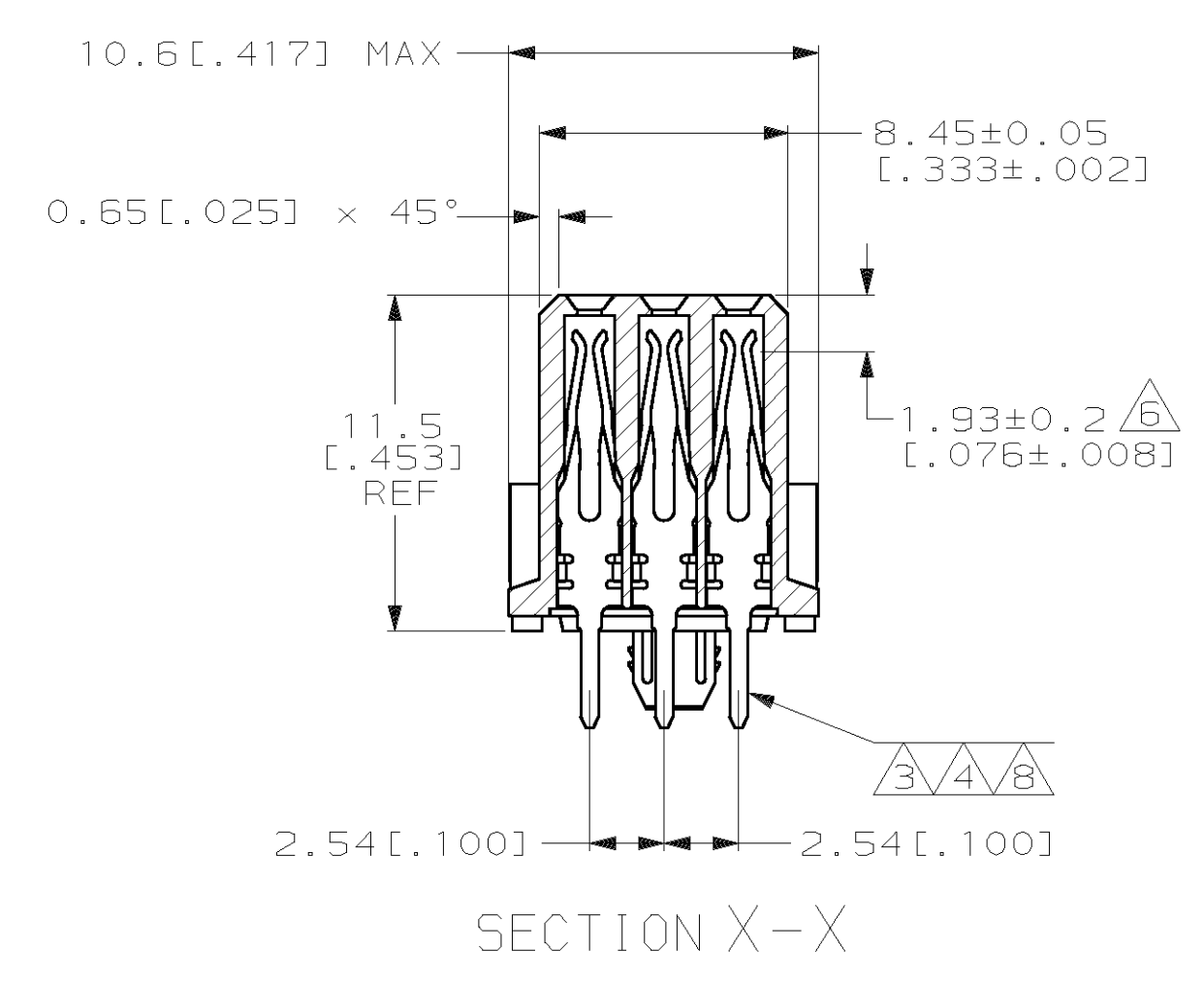
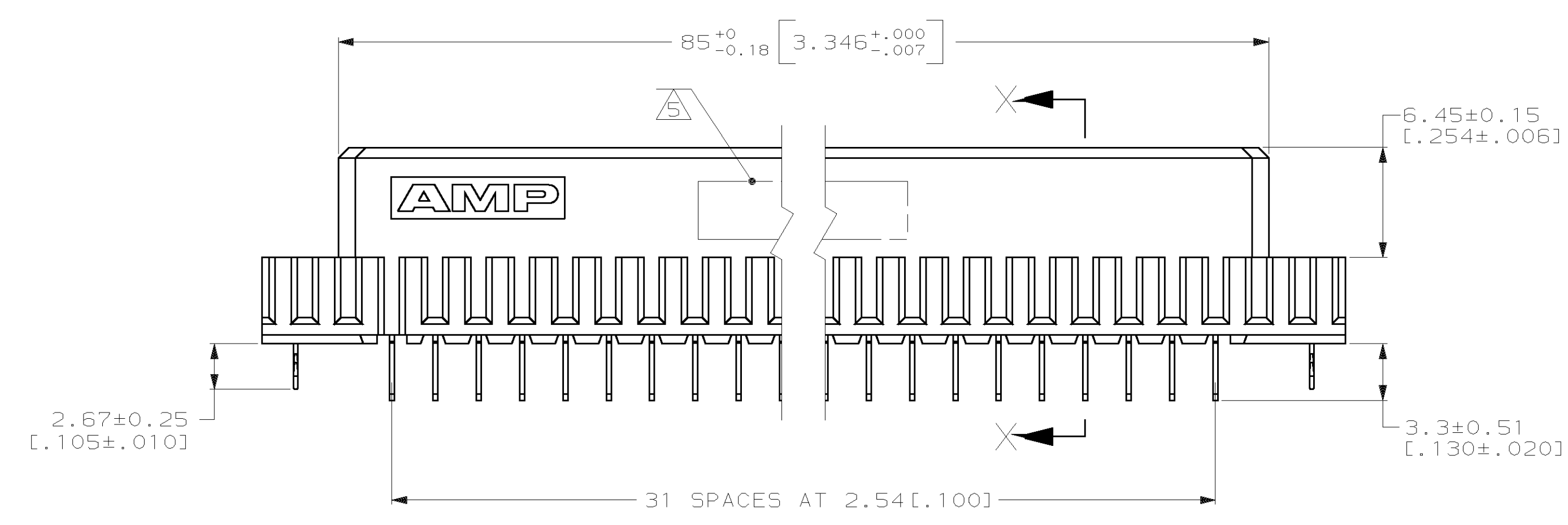
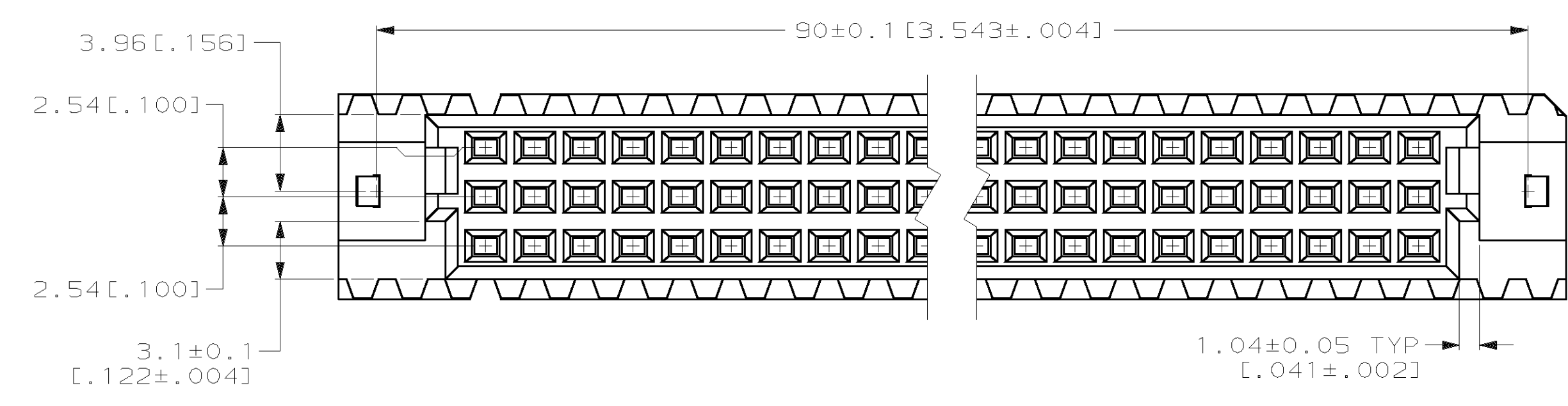


LOC		DIST		P		F		ZONE		LTR		REVISIONS			
AD	25											DESCRIPTION	DATE	APPD	
												H	EC 0504-0087-96	11/18/96	CR
												J	REV PER EC 001B-0367-00	09 JAN 01	CR



- △ HOUSING MATERIAL: GLASS-FILLED POLYESTER. COLOR: GRAY.
- △ CONTACT MATERIAL: PHOSPHOR BRONZE.
- △ CONTACT FINISH: DIN 41612 CLASS 2 IN CONTACT AREA. TIN-LEAD PLATE ON POSTS.
- △ CONTACT FINISH: DIN 41612 CLASS 3 IN CONTACT AREA. TIN-LEAD PLATE ON POSTS.
- △ PART NUMBER, DATE CODE IDENTIFICATION, CSA LOGO IN THIS APPROXIMATE AREA.
- △ CONTACT POINT.
- △ RECOMMENDED HOLE SIZE FOR MANUAL APPLICATION OF CONNECTOR ONTO PC BOARD.
- △ CONTACT FINISH: 0.00076 [0.00030] GOLD IN CONTACT AREA. 0.00127 [0.00050] NICKEL UNDERPLATE ALL OVER. TIN-LEAD PLATE ON POSTS.

SUPERSEDED BY 650963-5		△4	1-32	X	X	X	96	650963-9
		△3	1-32	X	X	X	96	650963-5
		△B	1-32	X	X	X	96	650963-4
NOTES	POSITIONS LOADED	NO. OF LOADED POSITION			ASSY PART NUMBER			
		C	B	A				

DO NOT SCALE PRINT. UNLESS SPECIFIED DIMENSIONS IN mm [INCHES] TOLERANCES ON:		DR L. BRINER 2/22/91	AMP INCORPORATED Harrisburg, Pa. 17105	
1 PLC DEC ± -		CHK N. DRASHER 2/25/91		
2 PLC DEC ± 0.13 [0.05]		APPD N. DRASHER 2/25/91	NAME RECEPTACLE ASSEMBLY, EUROCARD, TYPE C WITH BOARD LOCKS, 96 POSITION	
ANGLES ± -		APPD K.R. PARMER 2/25/91		
MATERIAL	HSG △	PRODUCT SPEC -	SIZE D FSCM NO 00779 DRAWING NO 650963	
CONT △	FINISH △△△	APPLICATION SPEC -		
WEIGHT -	SCALE 4:1	SHEET 1 OF 1	CUSTOMER DRAWING	