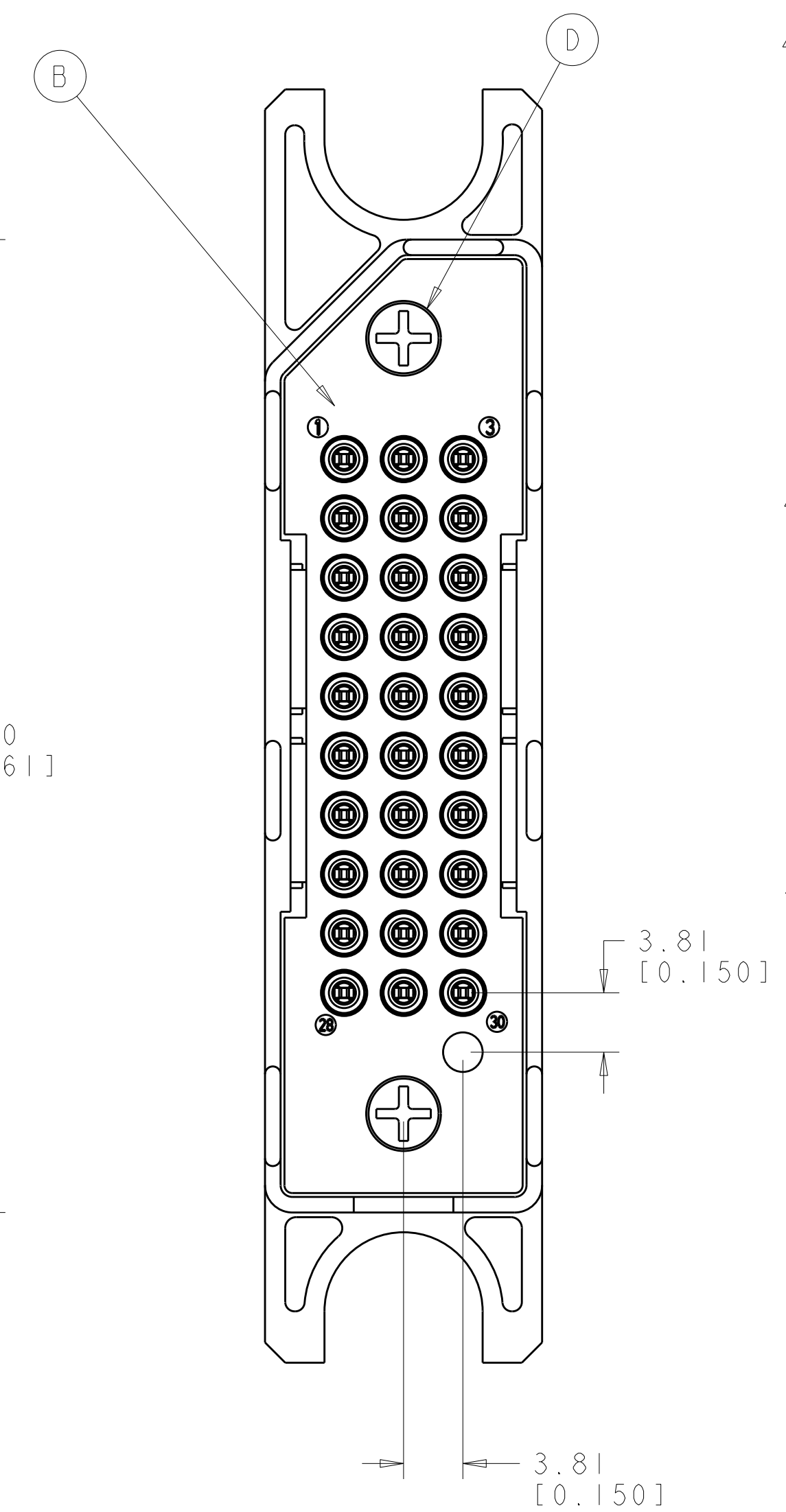
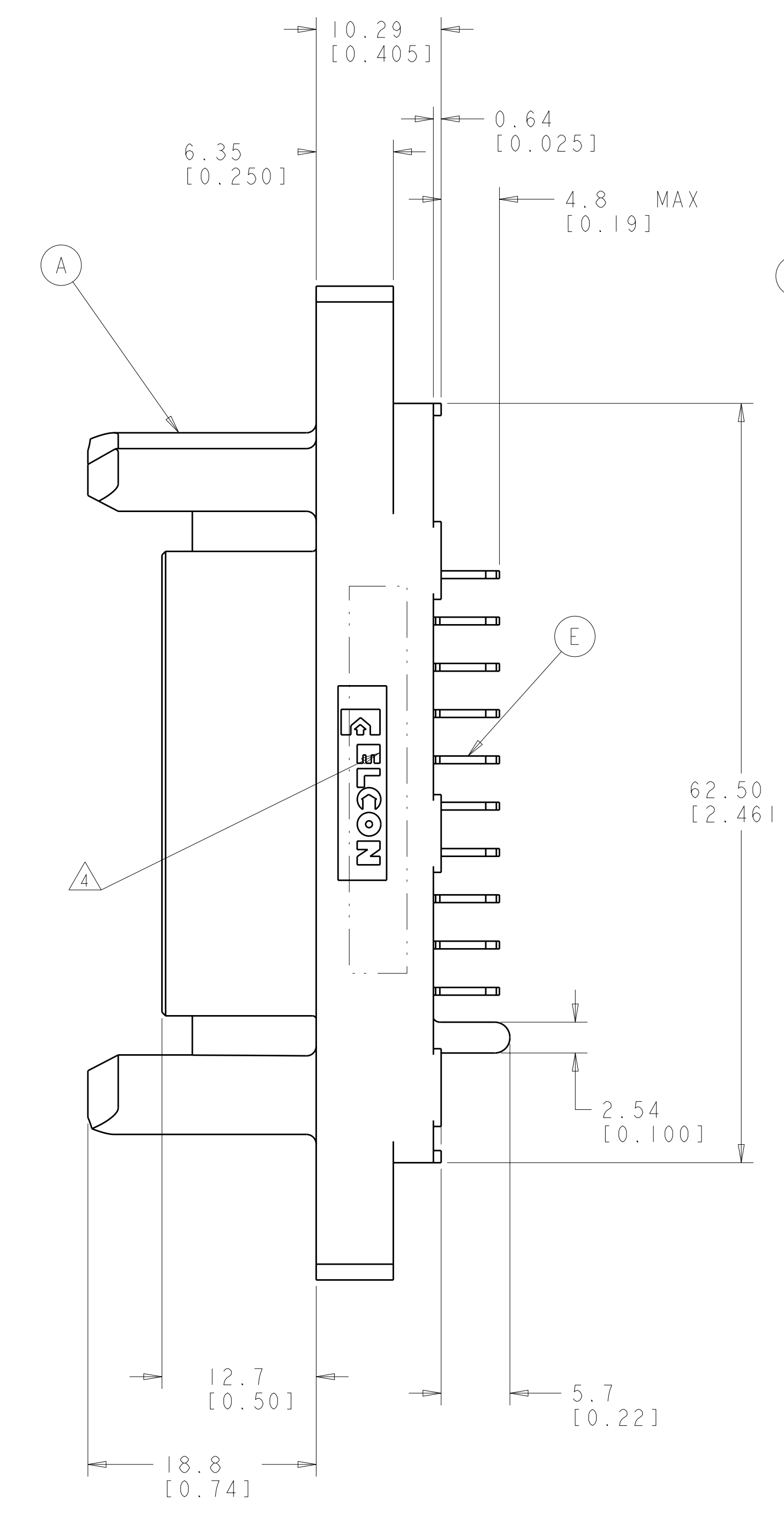
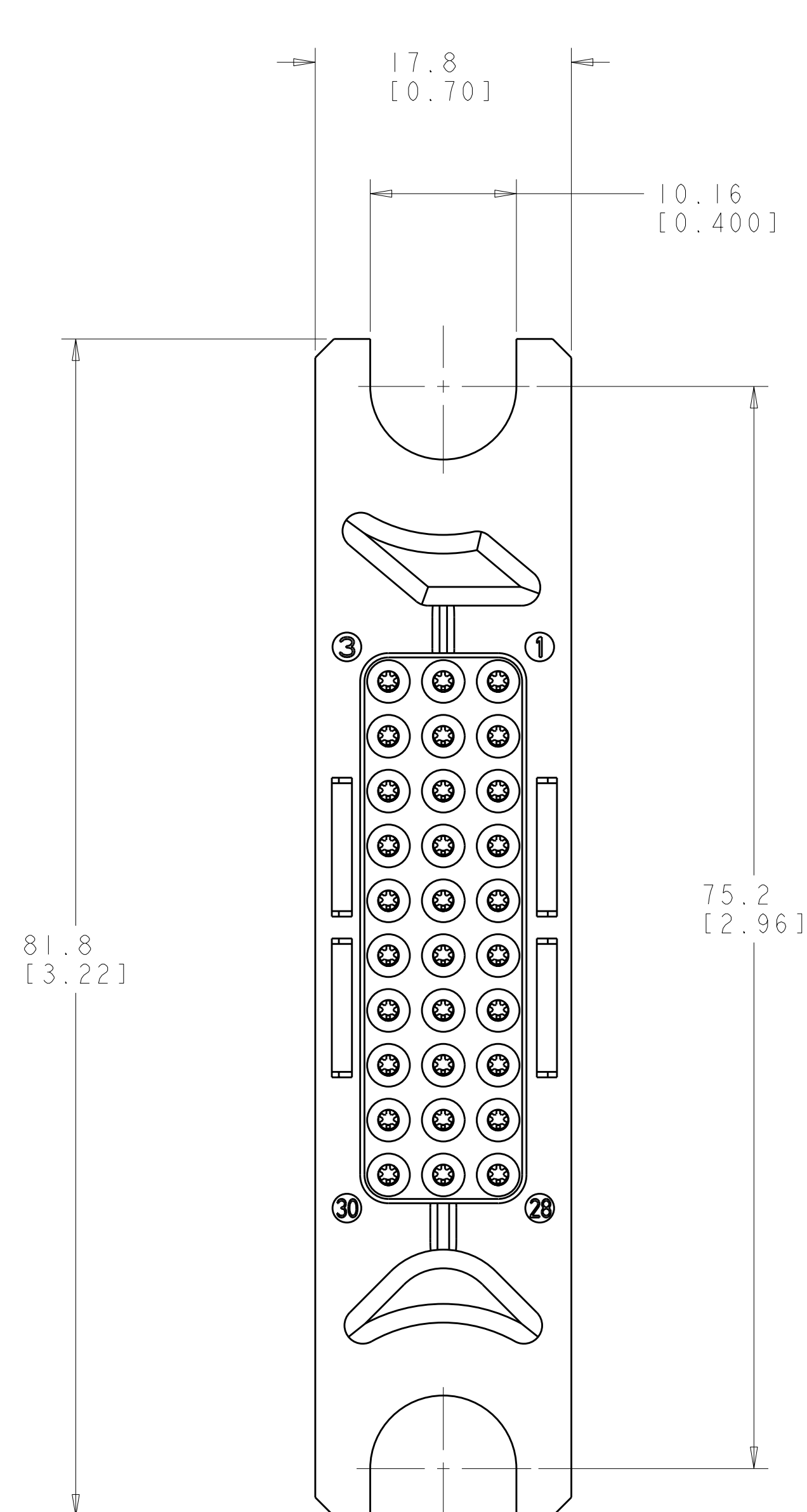


LOC	DIST	REVISIONS			
GP	00	REV	DATE	BY	APPD
		A	RELEASED	8NOV2011	RG DO



1. PART NUMBER CHANGES AND OR DESIGN CHANGES AFFECTING THE INTERCHANGEABILITY REQUIRE PRIOR TYCO APPROVAL AND AUTHORIZATION BY REVISION TO THIS DRAWING.

2. MATERIAL:
 INSULATOR: THERMOPLASTIC, GLASS REINFORCED, FLAMMABILITY RATED, COLOR: BLACK
 CONTACT: COPPER ALLOY
 COMPLIANT TAIL: COPPER ALLOY
 CROWN BANDS: BERYLLIUM COPPER
 RETENTION CLIPS: BERYLLIUM COPPER OR STAINLESS STEEL

3. FINISH:
 CONTACT: GOLD .000010 MIN THK. OVER NICKEL
 .000040 MIN THK.
 COMPLIANT: TIN .000040 MIN THK.
 CROWN BAND: GOLD .000030 MIN THK. OVER NICKEL .00040 MIN THK.

4. ITEMS PROVIDED TO THIS SPECIFICATION TO BE PERMANENTLY IDENTIFIED PER THE FOLLOWING IDENTIFIER:

TYCO PART NUMBER	DATE CODE (e.g. 0216)
XXXXXXX-X	YEAR WEEK XXXX

5. COMPLIANT TAIL CONTACTS ARE INSERTABLE/ NON-REMOVABLE (ITEM E).

6. THIS CONNECTOR MATES WITH PIN CONNECTOR PN 1648742-1.

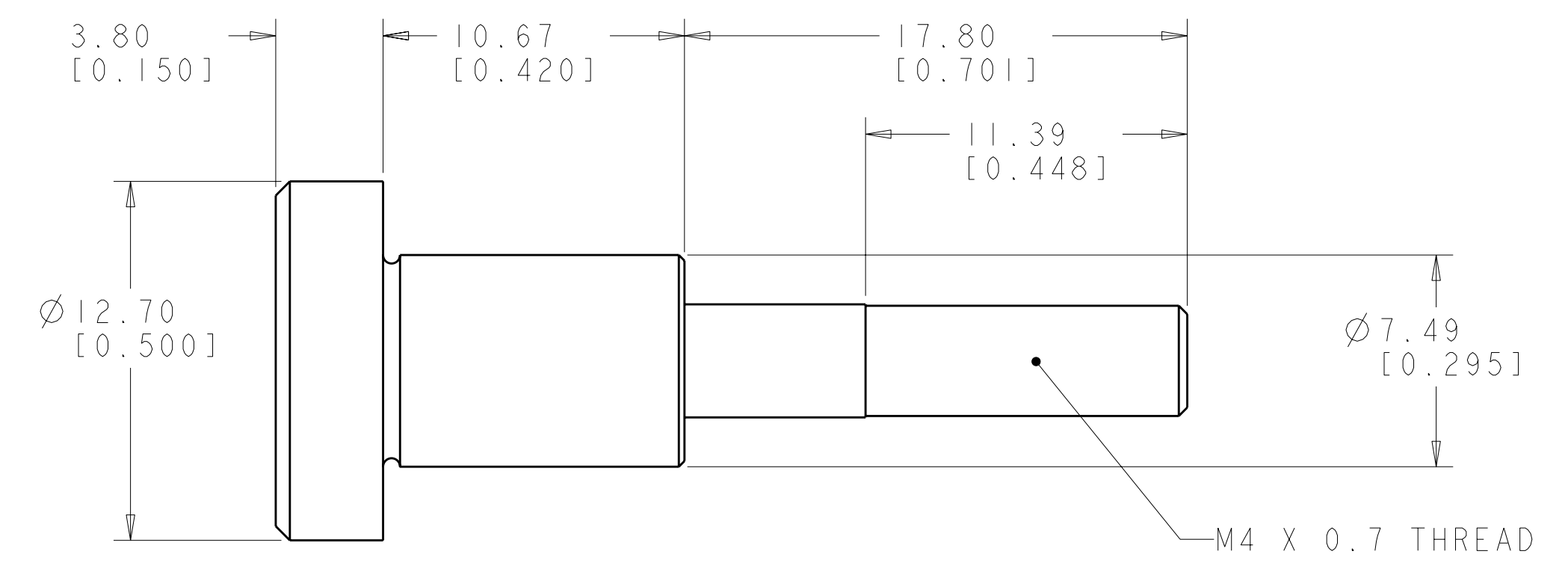
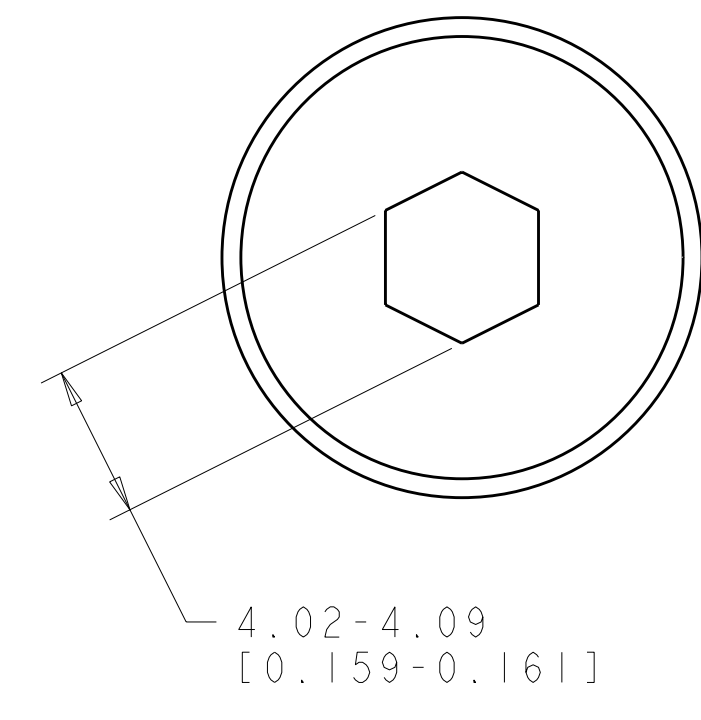
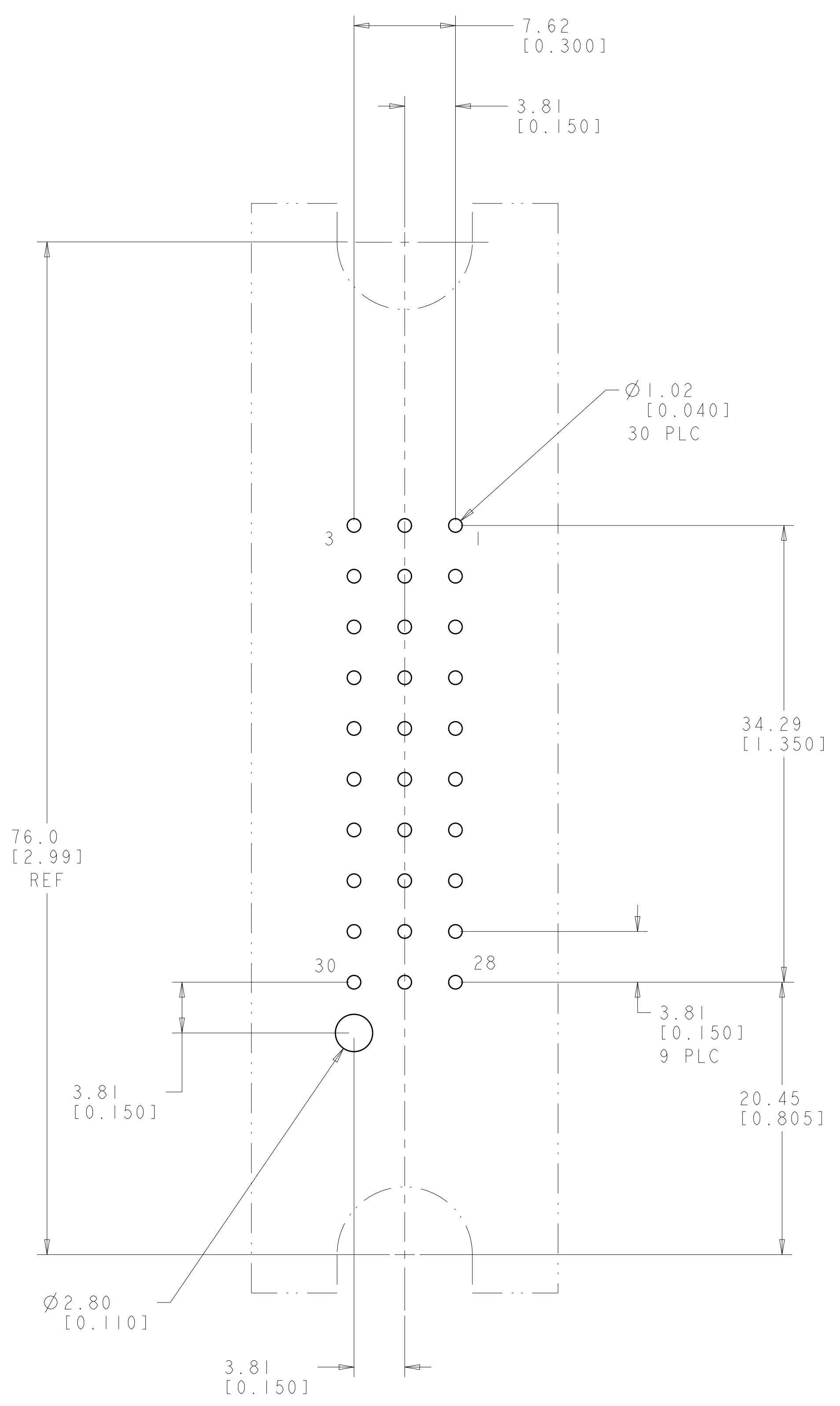
7. MOUNTING HARDWARE: SHOULDER SCREW REF. TYCO 1650597-1 TO BE ORDERED SEPARATELY. SHOWN FOR REFERENCE ONLY.

ITEM NO.	PART NUMBER	DESCRIPTION	ITEM NO.
30	6648301-1	SA CONTACT, SOCKET, #20, COMPLIANT	E
2	1766841-1	SCREW, SELF TAPPING, Ø2.5X10.00mm LG.	D
30	1650484-1	RETENTION CLIP, #20	C
1	1648753-1	HOUSING, SOCKET, REAR INSERT	B
1	1648752-1	HOUSING, SOCKET, FRONT	A

ELCON MINI DRAWER

THIS DRAWING IS A CONTROLLED DOCUMENT.		DWN R. GRZYBOWSKI 8NOV2011	TE Connectivity CONNECTOR, SOCKET, COMPLIANT TAIL 30 POSN. MINI DRAWER
DIMENSIONS: mm [INCHES]		CHK D. ORRIS 8NOV2011	
TOLERANCES UNLESS OTHERWISE SPECIFIED:		APVD D. ORRIS 8NOV2011	NAME
9 PLC ±.5 (1.02)		PRODUCT SPEC	SIZE CAGE CODE DRAWING NO. RESTRICTED TO
2 PLC ±.25 (1.010)		APPLICATION SPEC	A100779C=2085910
5 PLC ±.125 (1.010)		WEIGHT	SCALE 3:1 SHEET 1 OF 2 REV A
4 PLC ±.075 (1.010)		CUSTOMER DRAWING	
ANGLES ±.2			
MATERIAL	FINISH		

LOC	DIST	REVISIONS			
P	LTR	DESCRIPTION	DATE	DWN	APVD
GP	00	SEE SHEET 1	-	-	-



SHOULDER SCREW
 P/N 1650597-1
 SCALE 5:1

PRINTED CIRCUIT BOARD LAYOUT
 COMPONENT SIDE

HOLE SIZE #20
 FINISH HOLE: $\phi 1.02 \pm 0.08$ [$\phi .040 \pm .003$]
 DRILLED HOLE $\phi 1.151 \pm 0.013$ [$\phi 0.453 \pm .0005$]
 COPPER PLATE: .025 [.010] MIN
 TIN-LEAD PLATE: .008 [.0003] MIN.

THIS DRAWING IS A CONTROLLED DOCUMENT.		DWN R. GRZYBOWSKI 8NOV2011	TE Connectivity CONNECTOR, SOCKET, COMPLIANT TAIL 30 POSN. MINI DRAWER	
DIMENSIONS: mm [INCHES]		CHK D. ORRIS 8NOV2011		
TOLERANCES UNLESS OTHERWISE SPECIFIED:		APVD D. ORRIS 8NOV2011	PRODUCT SPEC	
9 PLC ±.5 [.02] 1 PLC ±.25 [.010] 5 PLC ±.25 [.010] 4 PLC ±. ANGLES #2		APPLICATION SPEC		
MATERIAL		WEIGHT		
FINISH		CUSTOMER DRAWING		
		SIZE A100779	CAGE CODE C=2085910	
		SCALE 3:1	SHEET 2 OF 2	
		REV A		