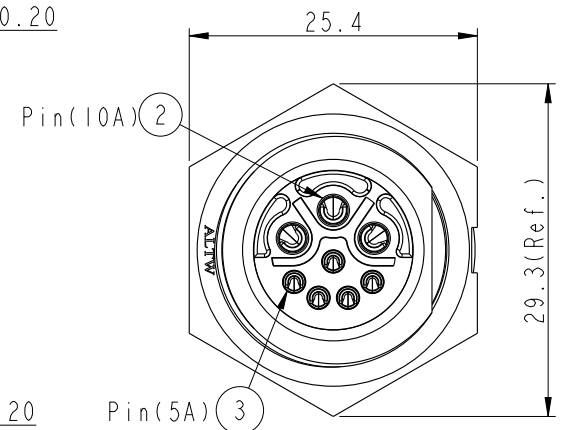
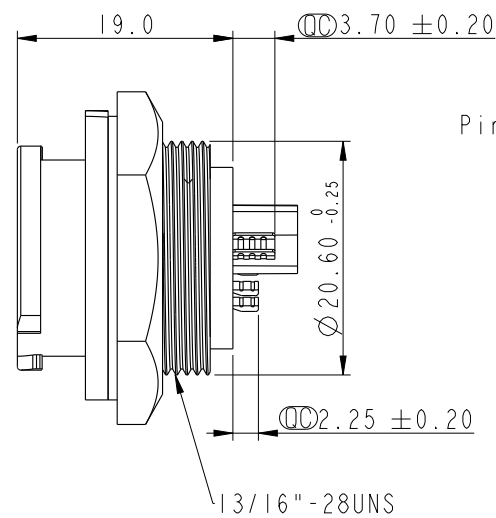
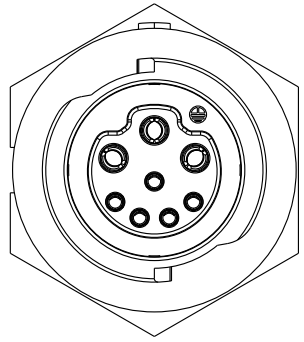


THIS DOCUMENT IS SUBJECT TO CHANGE WITHOUT NOTICE. IT IS CONFIDENTIAL AND A PROPERTY OF AMPHENOL LTW. DISCLOSURE TO THIRD PARTY HAS TO BE AUTHORIZED BY AMPHENOL LTW.

REV.	ECN NO.	DATE	SIGN	DESCRIPTION
A	Initial Release	2016-05-09	Spring	Change Rev.01 To Rev.A

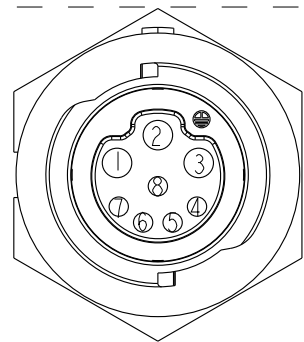
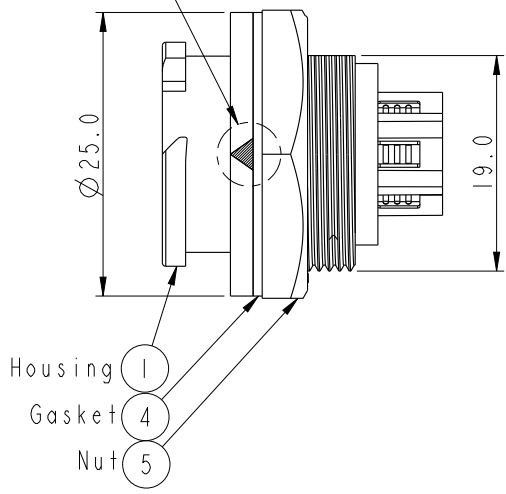
**ALTW**  
**CONFIDENTIAL**  
 2016-05-09  
**R&D DEPT.**

**ALTW**  
 DCC. DEPT.  
 CONFIDENTIAL  
 2016.05.16  
**ISSUED**

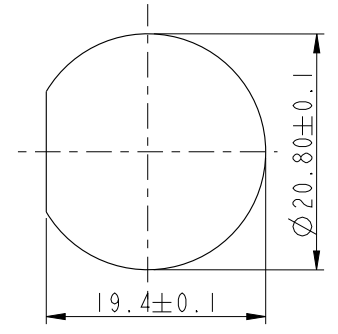


- Note:
- \*  $\varnothing$  Important Dimension To Check.
  - \* Waterproof Rate: IP68(Unmated)  
In 1 meter water within 24 hours
  - \* Working Voltage Rating:  
Power: AC/DC 300V  
Data: DC 30V
  - \* Working Current:  
Power: 10A  
Data: 05A
  - \* Housing: Nylon+GF, Black
  - \* Pin: Copper Alloy, Gold Plated
  - \* Nut: Nylon+GF, Black
  - \* Gasket: Silicone, Gray
  - \* Use Without Waterproof Cap  
Panel Thickness Max: 4.2mm

$\varnothing$  White Printing



Pin Assignments  
Front View



Recommended Panel Cut-Out

UNIT: mm		TITLE MIDDLE, RECEPTACLE (REAR) X-LOK (3+5) PIN M CONN F PIN			<b>Amphenol LTW</b> 安費諾亮泰企業股份有限公司	ITEM NO CBD-08RMFS-QC8001	DRAWN BY Spring Liu	DATE 2016-05-09
		TOLERANCE .X ±0.25 .XX ±0.1 .XXX ±0.05 ANGLES ±1°	SCALE 3:2	SIZE A4		SHEET 1 OF 1	DWG NO CBD-08RMFS-QC8001	CHECKED BY Fisher
		REV. A	WC-REV. A.2	$\varnothing$ : Inspection item	CUSTOMER ALTW	APPROVED BY Kevin Hu	DATE 2016-05-09	