

C.2: Validé

MASS ± 5% 11.71 g

Connector coding

Basic type	JMX	FH	1	G	XX	X	X	U	D	X	X	X
Shell type : FH Plug												
Shell size												
Keying : G												
Contact layout : SEE INSULATOR DRAWING												
Contact type : M (Male), F (Female)												
Contact style: S (solder), C (Crimp)												
Material												
Standard collet												
Back nut : S (standard, cable gland), M (boot), O (overmolded)												
Connector color coding												
(A)Blue, (P)Purple, (G)Grey, (J)Yellow, (M)Brown, (N)Black, (R)Red, (V)Green, (O)Orange, U(Uncolored)												
Packaging : Nothing : single packaging, B(Bulk) : 100pcs												

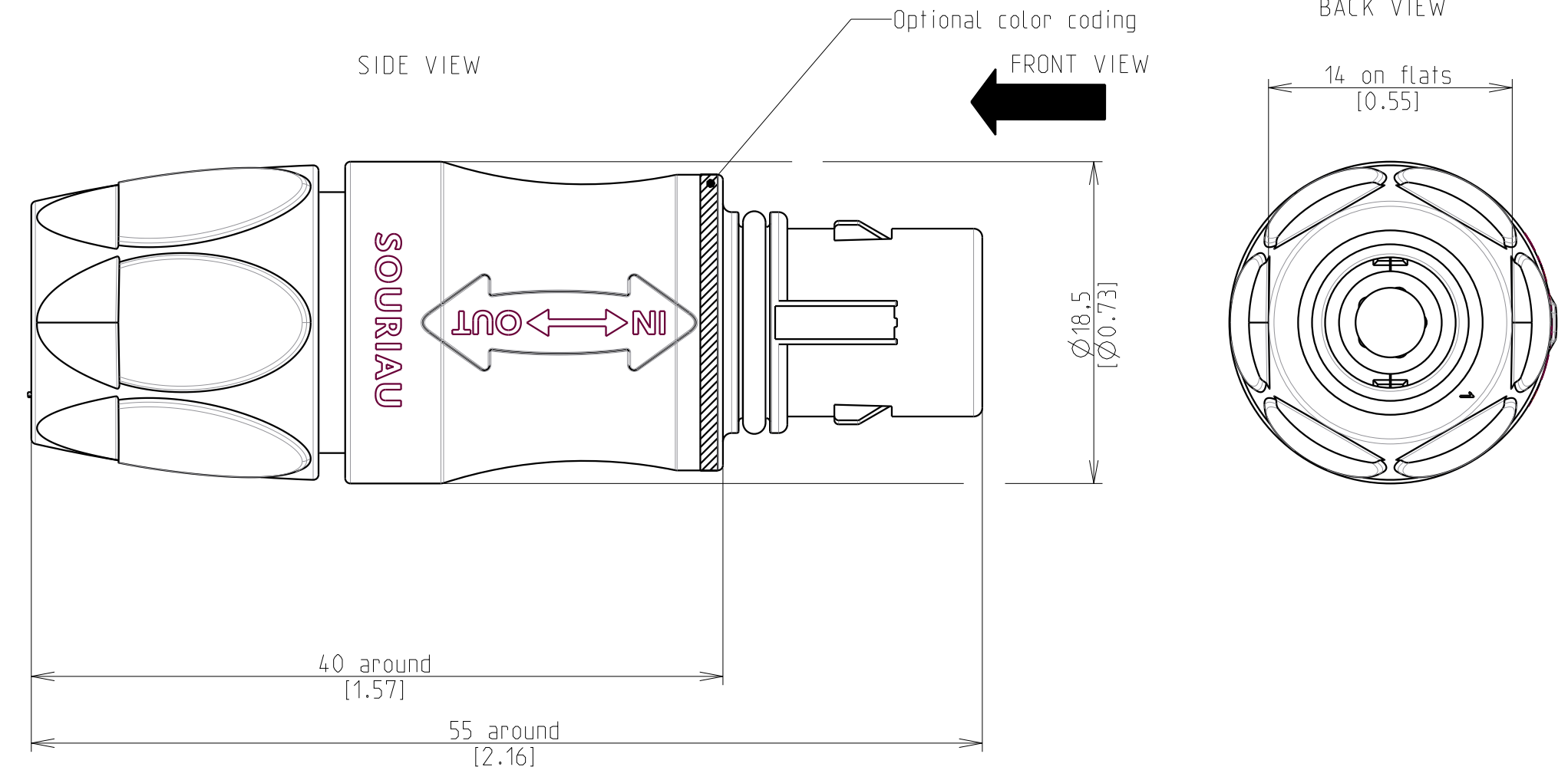
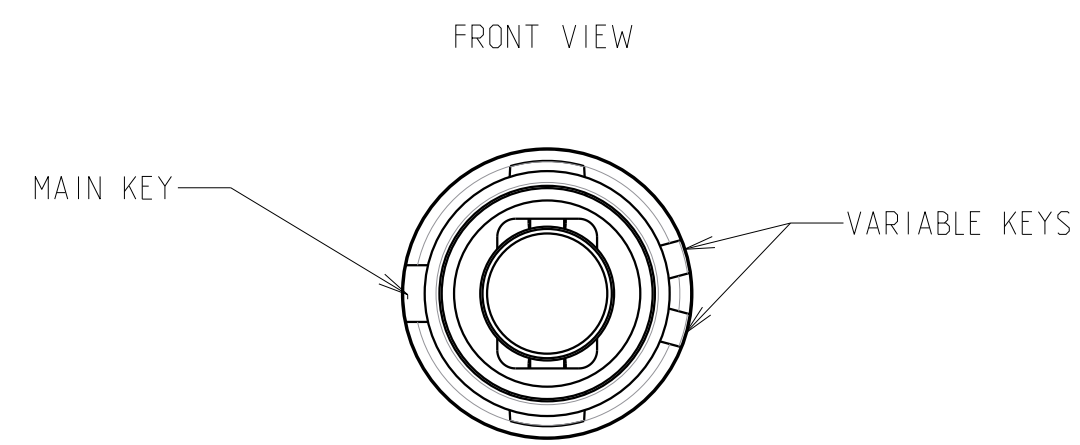
ELECTRICAL:
 INSULATION RESISTANCE : >500MΩ PER ANSI-EIA-364-D METHOD 21
 MAX. CURRENT RATING : SEE INSULATOR DRAWING
 CONNECTOR TESTING VOLTAGE : SEE INSULATOR DRAWING
 CONNECTOR WORKING VOLTAGE : SEE INSULATOR DRAWING

PHYSICAL:
 MAXIMUM WIRE SIZE USED : SEE INSULATOR DRAWING
 CABLE DIAMETER : 3.5mm MIN. TO 7.5mm MAX.

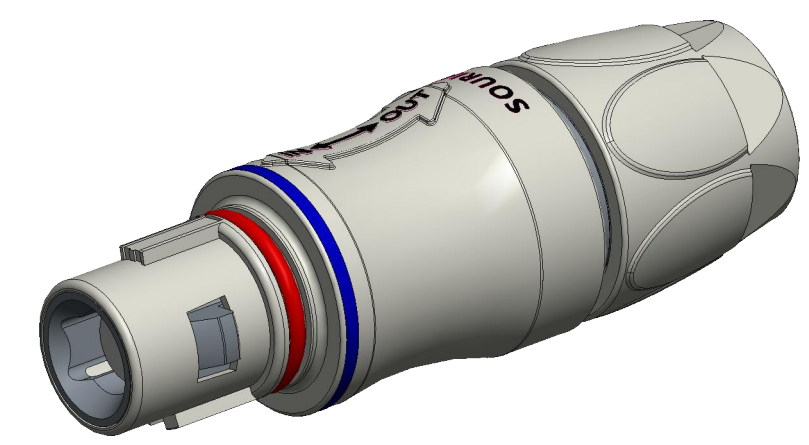
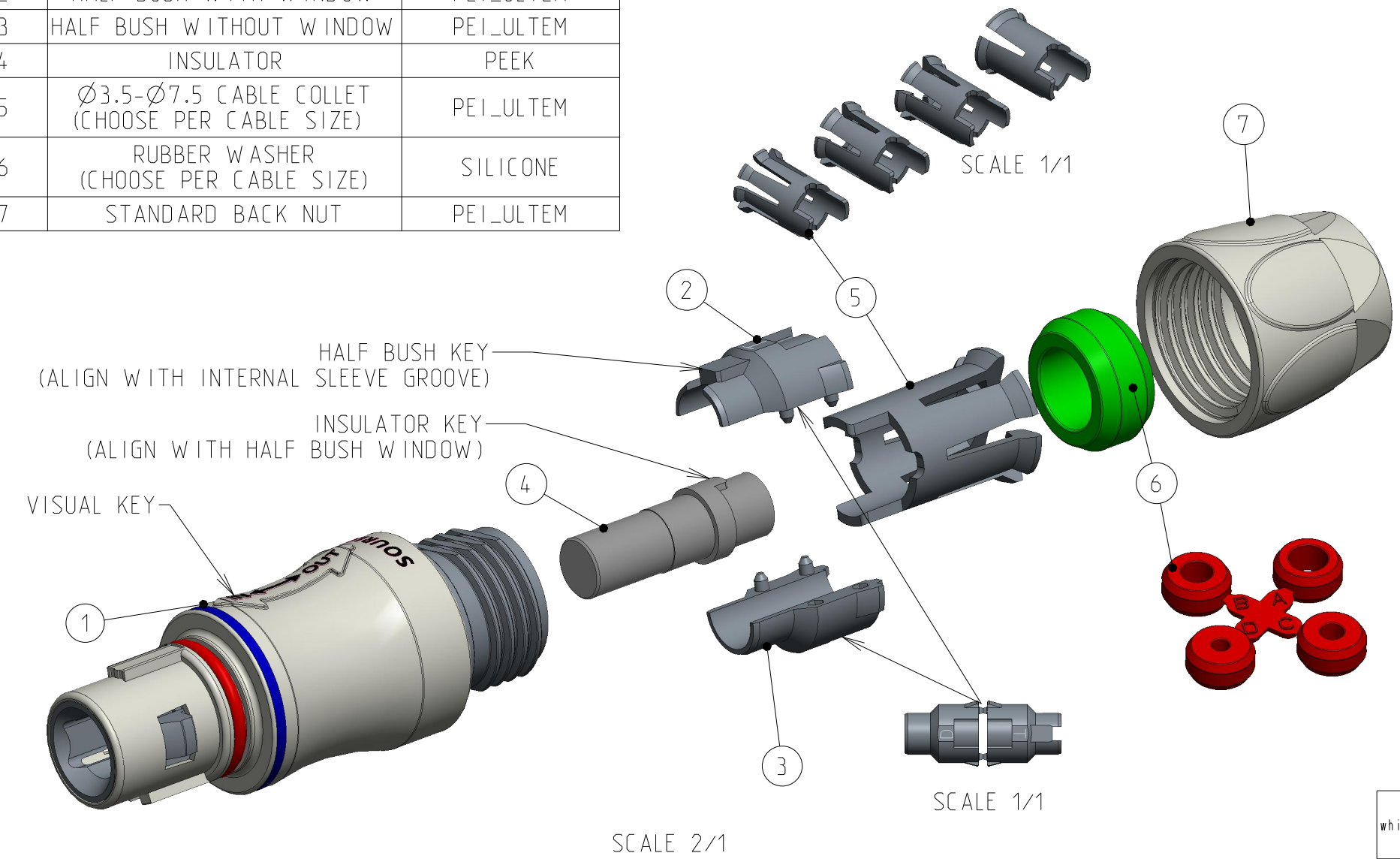
ENVIRONMENTAL:
 ENDURANCE : 2000 MATING CYCLES AS PER IEC 60512-5 test 9a
 SHOCK : Dropping height 750 mm [29.53] per IEC 60512 test 7b

PROTECTION INDEX:
 IP 68 AS PER IEC 60529 (IBAR DURING 1 WEEK)
 In mated condition
 IP 50 In unmated condition

ROHS & REACH COMPLIANT
 OPERATING TEMPERATURE : -40°C +125°C (-40°F +257°F)
 AUTOCLAVING : 200 CYCLES AS ISO 17665-1 (Short term +134°C / 273.2°F)
 BIOCOMPATIBILITY: ALL SHELL PEI_ULTEM PARTS to USP Class VI / ISO 10993



PART LIST		
ITEM NO.	DESCRIPTION	MATERIAL
1	SLEEVE	PEI_ULTEM
2	HALF BUSH WITH WINDOW	PEI_ULTEM
3	HALF BUSH WITHOUT WINDOW	PEI_ULTEM
4	INSULATOR	PEEK
5	Ø3.5-Ø7.5 CABLE COLLET (CHOOSE PER CABLE SIZE)	PEI_ULTEM
6	RUBBER WASHER (CHOOSE PER CABLE SIZE)	SILICONE
7	STANDARD BACK NUT	PEI_ULTEM



ECHELLE 2/1

LINEAR MESURE : mm [inch]	
TOLERANCES UNLESS OTHERWISE SPECIFIED	
No. OF PLACES	mm [INCH]
WHOLE No.	±0.5 [±0.02]
ONE PLACE	±0.2 [±0.008]
TWO PLACES	±0.1 [±0.004]
ANGLES ±1°	

SOURIAU shall not be liable for any non-conformity or damage due to a use of the Products which does not comply with the Specifications issued by either of the Parties or by a third party (professional recommendation, technical notice.)

Country Jurisdiction & Control List
 FR NOT LISTED

P/N : SEE TABLE : CONNECTOR CODING

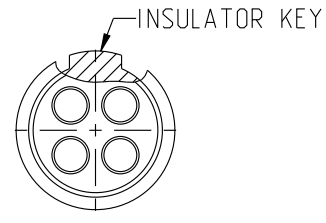
C	27/03/17	Correction of marking curves colors	-
ISS	DATE	Latest modification - by:	MOD N°
		Q.LEBRETON Date:20/01/17	
Designed by:		CUSTOMER DRAWING	
TITLE		PLUG - STANDARD VERSION SIZE 1 WITH CABLE GLAND	
		GAMME JMX	
Scale	7/5	General Linear Tolerances: SEE TABLE	NPRDS / PROJECT BE150710A
SOURIAU		WWW.SOURIAU.COM	
		This document is the property of SOURIAU. It must not be reproduced or communicated without permission.	
FORMAT	A2	SOURIAU DRG N° C0002-PPP1-A	SHEET 1 / 1

DWG. NO.
JBX11NSMCC

MALE INSULATOR, CRIMP CONTACT

CONTACT LAYOUT	02	03	04	05	
FRONT SIDE VIEW					
REAR SIDE VIEW					
CONTACT					
ISO VIEW					
CONTACT	ØC (mm)	1.3	1.3	0.9	0.9
	ØF (mm)	1.4	1.4	1.1	1.1
	MAX. AWG	18	18	20	20
	MAX. CURRENT RATING (A)	15	15	10	10
	CONTACT RESISTANCE (mΩ)	3	3	3.5	3.5
INSULATOR	NUMBER OF CAVITY	2	3	4	5
	MAX. CURRENT RATING (A)	10	9	8	7
	AIR CLEARANCE/CREEPAGE DISTANCE min (mm) (BETWEEN CONTACTS)	1.2	1	1	0.8
	TEST VOLTAGE (V)	1200	1100	1100	1100

CONTACT TYPE : M (MALE)
CONTACT TERMINATION : C (CRIMP)
MATERIAL :
 CONTACT: BRASS
 CLIP: COPPER ALLOY
 INSULATOR: PEEK
FINISH :
 CONTACTS: GOLD



CATALOG NUMBER DESCRIPTION

JXXXX 1 X YY F S XXXX

SEE SHELL DRAWING
 SHELL SIZE
 KEYING
 CONTACT LAYOUT

SEE SHELL DRAWING
 CONTACT TERMINATION
 CONTACT TYPE

REV	DESCRIPTION	BY DATE	CHKD DATE
C	REVISED PER ECN 13093	RSK 03-01-17	EV 03-01-17
B	REVISED PER ECN 12286	RSK 06-10-15	EV 06-10-15
A	RELEASED PER ECN 12264	SKV 03-10-15	EV 03-10-15

THIS DRAWING IS A CONTROLLED DOCUMENT FOR SOURIAU USA, INC. IT IS SUBJECT TO CHANGE WITHOUT NOTIFICATION. CONTACT THE DOCUMENT CONTROL CENTER FOR THE LATEST REVISION.

THE INFORMATION CONTAINED IN THIS DRAWING IS CONFIDENTIAL AND MAY NOT BE DISCLOSED WITHOUT WRITTEN CONSENT FROM SOURIAU USA, INC.

LINEAR MEASURE: $\frac{mm}{INCH}$ mm (INCH)

THIRD ANGLE PROJECTION

TOLERANCES UNLESS OTHERWISE SPECIFIED

No. OF PLACES	mm [INCH]
ONE PLACE	±3 [±.1]
TWO PLACES	±0.5 [±.02]
THREE PLACES	±0.25 [±.010]

ANGLES ±1°

ORIGIN	COUNTRY	JURISDICTION	CLASSIFICATION
X	FR	Not listed	N/A
	US	EAR	ECCN =EAR99

These commodities, technology or software are exported from the United States in accordance with the Export Administration Regulations. Diversion contrary to U.S. law is prohibited

DRAWING TITLE
JBX, SIZE 1, MALE INSULATOR, CRIMP CONTACT

CAT NO. **JBX11NSMC**

CAGE NO: 09922 SIZE: B

CUSTOMER

SOURIAU

WWW.SOURIAU.COM

APPROVAL

DRAWN:	SKV	02-02-15
CHKD :	EV	02-02-15
DSGN :	EV	02-02-15
MFG :	DH	02-02-15
QC :	BB	02-02-15

DRAWING SCALE: NA

DRAWING NO. REV

JBX11NSMCC C

1 OF 2

DWG. NO.
JBX11NSMCC

CONTACT LAYOUT	06	07	08
FRONT SIDE VIEW			
REAR SIDE VIEW			
CONTACT			
ISO VIEW			
CONTACT	ØC (mm)	0.7	0.7
	ØF (mm)	0.85	0.85
	MAX. AWG	22	22
	MAX. CURRENT RATING (A)	7	7
INSULATOR	CONTACT RESISTANCE (mΩ)	5	5
	NUMBER OF CAVITY	6	7
	MAX. CURRENT RATING	6	5
	AIR CLEARANCE/CREEPAGE DISTANCE min (mm) (BETWEEN CONTACTS)	0.75	0.75
TEST VOLTAGE (V)	1000	1000	900

ORIGIN	COUNTRY	JURISDICTION	CLASSIFICATION
X	FR	Not listed	N/A
	US	EAR	ECCN =EAR99
These commodities, technology or software are exported from the United States in accordance with the Export Administration Regulations. Diversion contrary to U.S. law is prohibited			

LINEAR MEASURE: $\frac{mm}{INCH}$ mm (INCH)

THIRD ANGLE PROJECTION

TOLERANCES UNLESS OTHERWISE SPECIFIED

No. OF PLACES	mm [INCH]
ONE PLACE	±3 [±.1]
TWO PLACES	±0.5 [±.02]
THREE PLACES	±0.25 [±.010]

ANGLES ±1°

DRAWING TITLE			
JBX, SIZE 1, MALE INSULATOR, CRIMP CONTACT			
CAT NO. JBX11NSMC			
CAGE NO: 09922		SIZE: B	
CUSTOMER		SOURIAU	
INTERPRET THIS DRAWING IN ACCORDANCE WITH ASME Y14.5M - 1994.		WWW.SOURIAU.COM	
APPROVAL	DRAWN: SKV	02-02-15	
	CHKD : EV	02-02-15	
	DSGN : EV	02-02-15	
	MFG : DH	02-02-15	
	QC : BB	02-02-15	
	DRAWING SCALE: NA		
	DRAWING NO.	REV	
	JBX11NSMCC	C	
	2 OF 2		

THIS DRAWING IS A CONTROLLED DOCUMENT FOR SOURIAU USA, INC. IT IS SUBJECT TO CHANGE WITHOUT NOTIFICATION. CONTACT THE DOCUMENT CONTROL CENTER FOR THE LATEST REVISION.

THE INFORMATION CONTAINED IN THIS DRAWING IS CONFIDENTIAL AND MAY NOT BE DISCLOSED WITHOUT WRITTEN CONSENT FROM SOURIAU USA, INC.