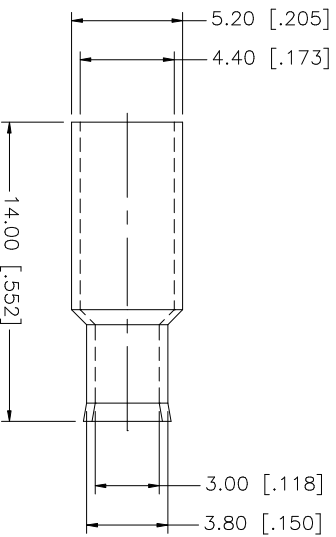
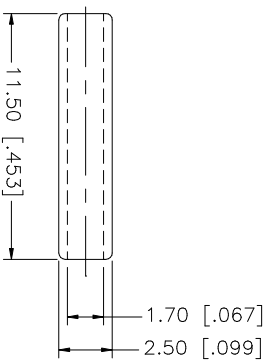
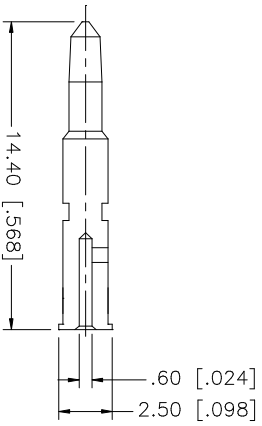
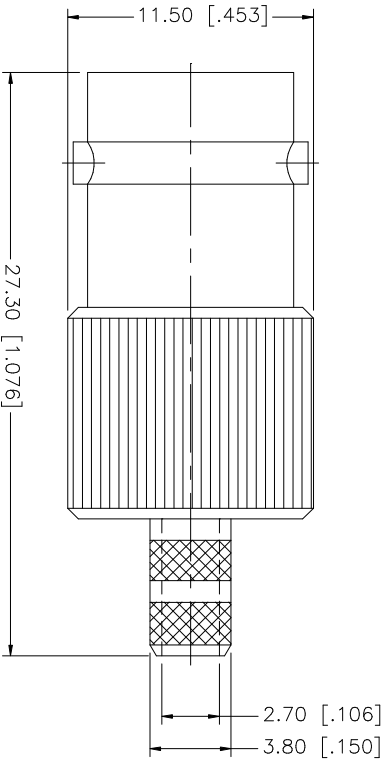
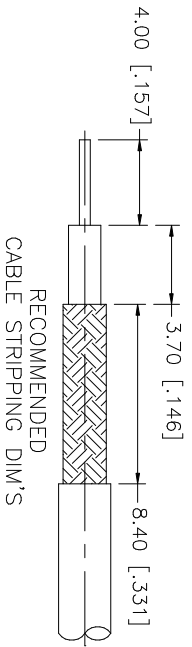


REV.	DATE	DESCRIPTION
NC	10/07/99	INITIAL RELEASE
A	07/28/06	UPDATE DRAWING FORMAT



NO.	DESCRIPTION	MATERIAL	FINISH	QTY	UNLESS OTHERWISE SPECIFIED DIMENSIONS ARE IN INCHES AND FOR CUSTOMER REFERENCE ONLY. TOLERANCES FOR MILLIMETERS ARE: UNLESS OTHERWISE SPECIFIED 0.5 - 8mm ± 0.20mm 8 - 30mm ± 0.40mm 30 - 120mm ± 0.50mm UNLESS OTHERWISE SPECIFIED DIMENSIONS FOR INCHES ARE: UNLESS OTHERWISE SPECIFIED .020 - .315 = ± 0.007" .315 - 1.180 = ± 0.015" 1.180 - 4.724 = ± 0.020"	APPROVALS	DATE	PART DESCRIPTION		
8								Amphenol Connex BNC CRIMP JACK - REVERSE POLARIZED (FOR RG-174/U, 188A/U, 316/U CABLE)		
7										
6	FERRULE	BRASS	GOLD	1						
5	SLEEVE	DELRIN	NATURAL	1						
4	CONTACT PIN	BER. COPPER	GOLD	1						
3	INSULATOR	TEFLON	NATURAL	1						
2	BODY	BRASS	GOLD	1						
1	DESCRIPTION				DO NOT SCALE DRAWING	CAD FILE C:/112/112160RP.DWG	DWG. NO. 112160RP.DWG		REV. A	SIZE A