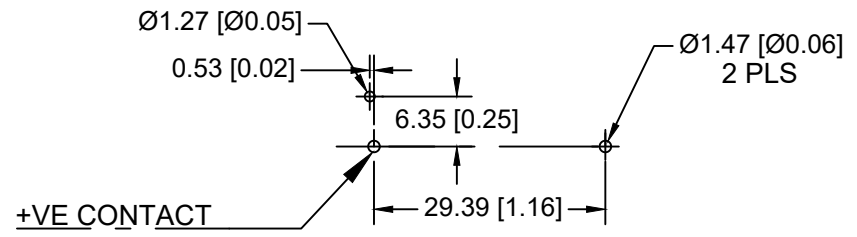
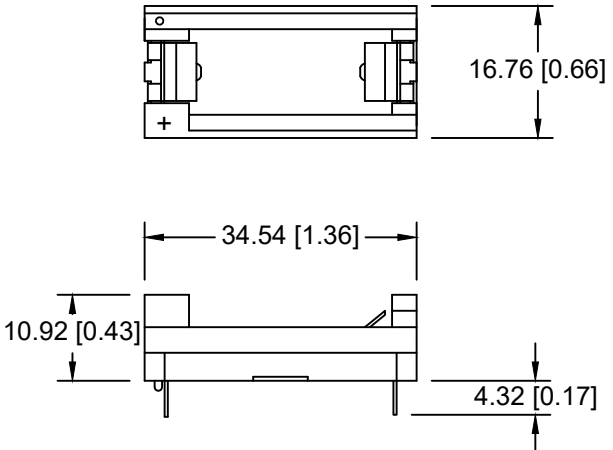



Date	SYM	REVISION RECORD	AUTH	DR.	CK.



PCB LAYOUT

SPECIFICATION:  
 HOUSING : BLACK POLYPROPYLENE  
 FLAMMABILITY RATING -UL94-HB, UL FILE NO. E216959  
 TEMPERATURE RANGE: -10°C to +100°C  
 CONTACTS: NICKEL PLATED STAINLESS STEEL, TYPE 301, SPRING TEMPER  
 CONTACT RESISTANCE: UNDER 50mΩ FOR +/- CONTACTS PER EIA-540J000  
 ROHS 2 COMPLIANT

Tolerance (Except as noted)	 <b>Memory Protection Devices, Inc</b> 200 Broad Hollow Road, Farmingdale, New York 11735	Scale	Drawn By B.S.
			Approved By T.B.
decimal ±.5 (.020)	Title ONE "1/2 AA" CELL SPRINGLESS HOLDER		
Fractional ± .8 (.030)	Date 04/06/18	Drawing Number BH14250-PC	
Angular ± 3°			